



**Automatic Rack Conveyor Machines**  
**7280.0085 – 7280.0090 – 7280.0095 – 7280.0100**

User Manual  
Gebruikershandleiding  
Gebrauchsanweisung  
Le mode d'emploi



# CONTENT

## ENGLISH

1 RECOMMENDATIONS.....	7
2 TRANSPORTATION AND HANDLING OF THE APPLIANCE.....	8
3 APPLIANCE INSTALLATION (for the installer).....	10
4 STARTING .....	11
5 WASHING THE DISHES .....	12
6 DESCRIPTION OF THE APPLIANCE.....	14
7 SAFETY DEVICES .....	15
8 MAINTENANCE.....	16
9 IMPORTANT TIPS IN THE EVENT OF MALFUNCTIONING.....	17
10 WARRANTY CONDITIONS .....	18

## NEDERLANDS

1 AANBEVELINGEN .....	19
2 TRANSPORT EN VERPLAATSING VAN HET APPARAAT .....	20
3 APPARAAT INSTALLATIE (voor de installateur) .....	22
4 OPSTARTEN .....	23
5 DE VAAT WASSEN .....	24
6 BESCHRIJVING VAN HET APPARAAT.....	26
7 VEILIGHEIDSUITRUSTING .....	27
8 ONDERHOUD .....	28
9 BELANGRIJKE TIPS IN GEVAL VAN STORING .....	29
10 GARANTIE VOORWAARDEN .....	30

## DEUTSCH

1 HINWEISE.....	31
2 TRANSPORTATION UND HANDHABUNG DER MASCHINE .....	32
3 INSTALLIERUNG DER MASCHINE (für den Installateur).....	34
4 INBETRIEBNAHME.....	35
5 GESCHIRRSPÜLEN .....	36
6 BESCHREIBUNG DER MASCHINE .....	38
7 SICHERHEIT .....	39
8 WARTUNG.....	40
9 WICHTIGE TIPPS BEI STORUNGEN .....	41
10 GARANTIEBEDINGUNGEN .....	43

**FRANÇAIS**

1 AVERTISSEMENTS .....	44
2 TRANSPORT ET MANUTENTION DE LA MACHINE.....	45
3 INSTALLATION DE LA MACHINE (instructions pour l'installateur) .....	47
4 MISE EN FONCTION .....	48
5 LAVAGE VAISSELLE .....	49
6 DESCRIPTION DE LA MACHINE .....	51
7 DISPOSITIFS DE SÉCURITÉ.....	52
8 ENTRETIEN .....	53
9 CONSEILS IMPORTANTS EN CAS D'ANOMALIES .....	54
10 CONDITIONS DE GARANTIE .....	56

NL

Wij danken u voor het kopen van een van onze producten. Instructies voor installatie, onderhoud en gebruik vindt u op de volgende pagina's. Ze werden gemaakt om de lange levensduur en perfecte werking van de producten die u gekocht heeft te verzekeren. Gelieve deze instructies nauwkeurig te volgen. We hebben deze producten gepland en gebouwd volgens de meest up-to-date technologische innovaties. Gelieve er zorg voor te dragen. Uw tevredenheid is onze beste beloning!

GB

We thank you for buying one of our products. Directions concerning installation, maintenance and usage are contained in the following pages. They have been prepared to ensure the long life and perfect working of the products which you have purchased. Please follow these instructions carefully. We planned and built these products in accordance with the most up-to-date technological innovations. Please look after them. Your satisfaction will be our best reward.

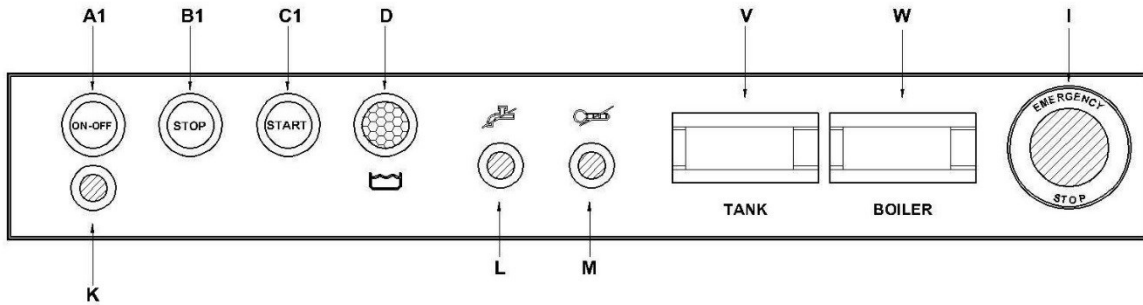
D

Wir danken Ihnen für den Kauf eines unserer Produkte. Anleitungen betreffend die Installation, die Wartung und den Gebrauch beinhalten die folgenden Seiten. Diese wurden im Sinne einer langen Lebensdauer und einer perfekten Funktion des von Ihnen gekauften Produkts erdacht. Bitte befolgen Sie diese Anleitungen genau. Wir haben dieses Produkt nach dem neuesten Stand der Technik entwickelt und gebaut. Gehen Sie nun sorgfältig damit um. Ihre Zufriedenheit ist uns der beste Dank.

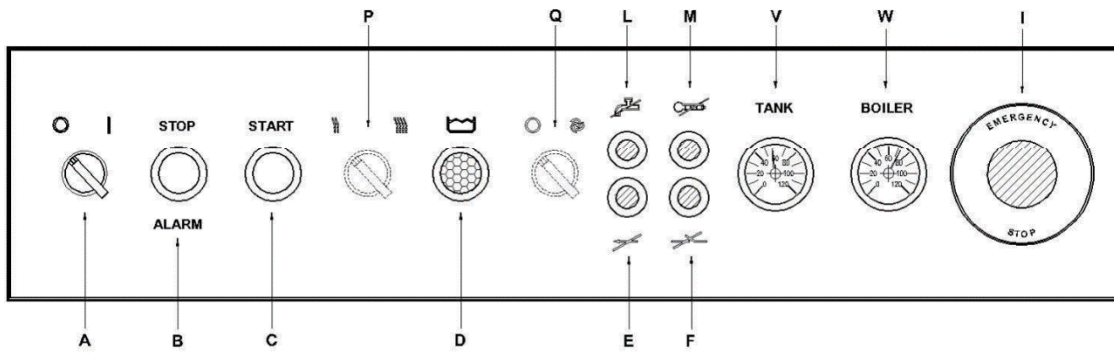
F

Nous Vous remercions pour l'achat de notre produit. Les indications concernant l'installation, l'entretien et le mode d'emploi sont dans les pages qui suivent. Elles ont été préparées pour assurer longue vie et parfait fonctionnement à l'appareil que vous avez acheté. Veuillez lire le mode d'emploi attentivement. Nous avons inventé et construit ce produit selon les dernières innovations technologiques. C'est à Vous, maintenant, d'en prendre soin. Votre satisfaction sera notre meilleure récompense.

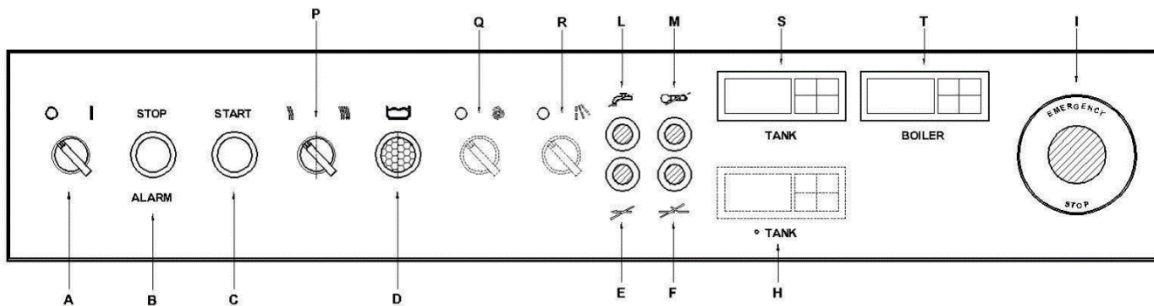
NL BEDIENINGSPANEEL  
 UK CONTROL PANEL FUNCTIONS  
 DE BEDINUNGSPANEL  
 FR FONCTIONS TABLEAU DE COMMANDE



7280.0085 – 7280.0090 – 7280.0095 – 7280.0100



AR 1650-AR 2000- AR 2500



ARR 2500-AR 3000- AR 3500-AR 4000

NL	LEGENDA BEDIENINGSPANEEL
UK	CONTROL PANEL FUNCTIONS LEGEND
DE	LEGENDE DER FUNKTIONEN DES BEDIENFELDES
FR	LEGENDE FONCTIONS TABLEAU DE COMMANDE

<p>A= MAIN SWITCH ON-OFF (0-1)  A1= SWITCH BUTTON ON-OFF  B= RED WARNING LIGHT : STOP/ALARM  B1= CYCLE STOP BUTTON  C= YELLOW LIGHT BUTTON FOR CYCLE START  C1= CYCLE START BUTTON  D= BLUE WARNING LIGHT : READY TO START  E= RED WARNING LIGHT : CONVEYING INTERRUPTION  F= RED WARNING LIGHT : DOOR OPEN  H= PRE-WASH TANK THERMOREGULATOR  I= EMERGENCY BUTTON  K= VOLTAGE PRESENT IND. LIGHT  L= RED WARNING LIGHT : NO WATER  M= RED WARNING LIGHT : LOW BOILER TEMPERATURE  P= SPEED SELECTOR  Q= DRYING EXCLUSION SELECTOR (OPTIONAL)  R= PRE-WASH EXCLUSION SELECTOR  S= WASH TANK DIGITAL THERMOREGULATOR  T= BOILER DIGITAL THERMOREGULATOR  V= WASH TANK THERMOMETER  W= BOILER THERMOMETER</p>	<p>A= HOOFDSCHAKELAAR AAN-UIT (0-1)  A1= SCHAKELAARKNOP AAN-UIT  B= ROOD WAARSCHUWINGSLICHT: STOP/ALARM  B1= CYCLUS STOP KNOP  C= GELE LICHTKNOP VOOR START CYCLUS  C1= CYCLUS START KNOP  D= BLAUW WAARSCHUWINGSLICHT: KLAAR OM TE STARTEN  E= ROOD WAARSCHUWINGSLICHT: TRANSPORT ONDERBREKING  F= ROOD WAARSCHUWINGSLICHT: DEUR OPEN  H= VOORWAS TANK THERMOREGULATOR  I= NOODKNOP  K= VOLTAGE AANWEZIG IND. LICHT  L= ROOD WAARSCHUWINGSLICHT: GEEN WATER  M= ROOD WAARSCHUWINGSLICHT: LAGE BOILER TEMPERATUUR  P= SNELHEID KEUZE  Q= DROGEN UITSLUITEN KEUZE (OPTIONEEL)  R= VOORWAS UITSLUITEN KEUZE  S= WASTANK DIGITALE THERMOREGULATOR  T= BOILER DIGITALE THERMOREGULATOR  V= WASTANK THERMOMETER  W= BOILER THERMOMETER</p>
<p>A= EIN-AUSSCHALTER DER MASCHINE (0-1)  A1= DRUCKTASTE ON-OFF  B= DRUCKTASTE MIT ROTER SIGNALLAMPE STOP/ALARM  B1= DRUCKTASTE ZYKLUSSTOPP  C= DRUCKTASTE MIT GELBER LEUCHE START  C1= DRUCKTASTE ZYKLUSBETRIEB  D= BLAUE SIGNALLAMPE MASCHINE BEREIT  E= ROTE KONTROLLEUCHE VORSCHUB UNTERBROCHEN  F= ROTE KONTROLLEUCHE TÜR OFFEN  H= TEMPERATURREGLER VORSPÜLWANNE  I= NOTSCHALTER FÜR MASCHINENSTOPP  K= LAMPE SPANNUNGSPRÄSENZ  L= ROTE KONTROLLEUCHE WASSERMANGEL  M= ROTE SIGNALLEUCHE NIEDRIGE BOILERTEMPERATUR  P= WAHLSCHALTER FÜR VORSCHUBGESCHWINDIGKEIT  Q= WAHLSCHALTER FÜR AUSSCHLUSS DER TROCKNUNG (ZUBEHÖR)  R= WAHLSCHALTER FÜR AUSSCHLUSS DES VORSPÜLGANGS  S= TEMPERATURREGLER SPÜLWANNE  T= TEMPERATURREGLER BOILER  V= THERMOMETER SPÜLWANNE  W= THERMOMETER BOILER</p>	<p>A= SELECTEUR POUR LA MISE EN MARCHÉ MACHINE (0-1)  A1= BOUTON-POUSSOIR MISE EN MARCHÉ MACHINE ON-OFF  B= BOUTON-POUSSOIR AVEC LAMPE TÉMOIN ROUGE DE STOP/ALARM  B1= BOUTON-POUSSOIR ARRÊT CYCLE  C= BOUTON-POUSSOIR AVEC LAMPE TÉMOIN JAUNE DE START  C1= BOUTON-POUSSOIR MARCHÉ CYCLE  D= LAMPE BLEUE DE SIGNALISATION MACHINE PRÊTE  E= LAMPE TÉMOIN ROUGE DE SIGNALISATION INTERRUPTION AVANCEMENT  F= LAMPE TÉMOIN ROUGE DE SIGNALISATION PORTE OUVERTE  H= THERMORÉGULATEUR CUVE PRÉLAVAGE  I= BOUTON-POUSSOIR D'URGENCE ARRÊT MACHINE  K= LAMPE PRÉSENCE TENSION  L= LAMPE TÉMOIN ROUGE DE SIGNALISATION ABSENCE D'EAU  M= LAMPE TÉMOIN ROUGE DE SIGNALISATION TEMPÉRATURE BASSE DANS SURCHAFFEUR  P= SÉLECTEUR VITESSE D'AVANCEMENT  Q= SÉLECTEUR POUR EXCLUSION SÉCHAGE (EN OPTION)  R= SELECTEUR POUR EXCLUSION PRÉLAVAGE  S= THERMORÉGULATEUR CUVE LAVAGE  T= THERMORÉGULATEUR SURCHAFFEUR  V= THERMOMÈTRE CUVE LAVAGE  W= THERMOMÈTRE SURCHAFFEUR</p>

# 1 RECOMMENDATIONS

---

It is very important that this instruction booklet is kept safely with the appliance for future consultation. In the event of sale or transfer to another user, make sure that the booklet always accompanies the appliance so that the new owner has information to hand regarding operation and relative recommendations. These recommendations are given for safety reasons. They should be carefully read prior to installation and prior to using the appliance.

- After having removed the packaging, immediately check that the appliance is intact. Should your new appliance be damaged, do not use it but contact your dealer without delay. The packaging materials must not be left within the reach of children, since they are potential sources of danger.
- Any adaptation of the electrical and water systems in order to install the appliance should only be carried out by qualified electricians and plumbers.
- This appliance should only be used by adults trained to use it.
- Make sure that the appliance does not rest on the mains supply cable or on filling and drainage hoses; if necessary adjust the height of the appliance by means of the feet, ensuring that the appliance is standing level.
- The appliance has been designed to wash crockery, glasses, cups, cutlery, trays. Any other use - such as washing objects contaminated with petrol, paint, steel or iron scrap, corrosive acid or alkaline chemical products, solvents, or objects that are larger than the working passage of the appliance - is to be considered improper and therefore hazardous.
- The appliance is rated IPX2 and must not therefore be washed with high pressure jets of water.
- The appliance has been made to the rules of good workmanship in force in Italy and abroad, in compliance with EEC Directives and current laws.
- After use, disconnect the appliance from the mains electricity supply using the wall-mounted mains on/off switch.
- Do not leave the appliance exposed to the elements or in environments with temperatures below 0°C.
- Never attempt to repair the appliance. Any repairs carried out by inexperienced persons could cause damage or worsen the malfunctioning.
- This appliance should be serviced by authorised specialists.
- If the appliance is unserviceable, it should be made inoperable: disconnect/cut off the electrical and water connections.
- The sound pressure of the empty appliance measured at 1 m from the same and at 1.6 m height, is 70 dB(A), and 75 dB(A) for the appliances with drying function.
- Do not alter the protective devices and only remove them if the appliance is at a standstill and the electrical power supply has been cut off.
- An out-of-order product should be made unusable; disconnect the electrical and water connections.
- If you want to dispose of this product, do not put it with the domestic waste. There is a system of separately collected fractions in conformity with the law that requires special treatment, recovery and recycling.
- Private citizens of EU member countries, Switzerland and Norway may deliver the appliance at the end of its useful life to designated centres for separately collected fractions of electronic and electro-technical waste. Otherwise when purchasing a new, similar appliance, you can ask the dealer to take away the old appliance.
- For countries not mentioned above, please contact the local authorities for correct method of disposal.
- Proper separate collection of old appliances for subsequent recycling contributes to preventing possible negative effects on the environment and on health and encourages recycling of the materials with which the appliance is made.
- Illegal disposal of the product by the user could entail application of the administrative fines provided for under the applicable laws.



## 2 TRANSPORTATION AND HANDLING OF THE APPLIANCE

---

### 2.1 TRANSPORTATION AND PACKING

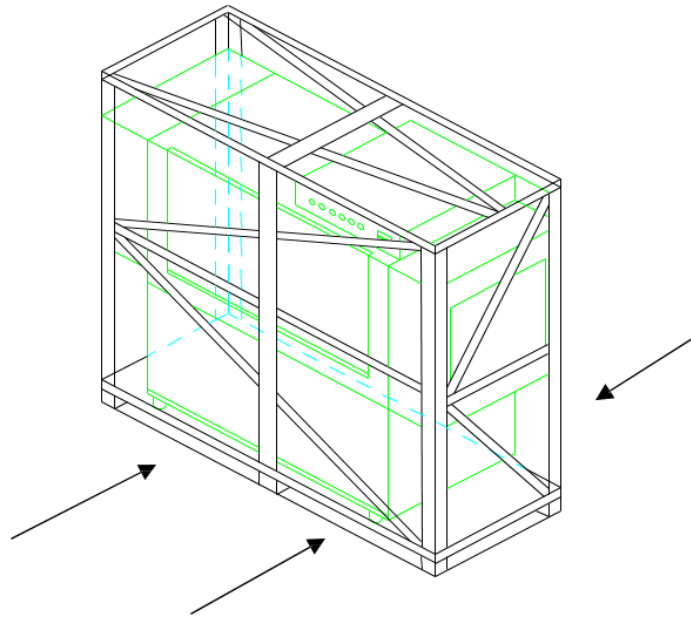
The appliances may be transported by truck or by container.

The same type of packing is envisaged in both cases, i.e. wooden crates on pallet.

Before being packed, the appliances are protected by wrapping with low density polyethylene.

### 2.2 HANDLING

The appliances should only be handled as shown in the figure below, observing the points of entry of the truck lift forks. The crate should not be lifted with ropes.



### 2.3 STORAGE

The methods for storing the appliances and the devices used for their handling should be suitable to ensure that no damage is caused due to vibration, impact, abrasion, corrosion, etc. The condition of stored appliances should be periodically checked.

### 2.4 DIMENSIONS

The flight dishwashers come in various models, for which the sizes and relative weights are supplied separately. The sizes of the wooden crates of the various models in the standard version are given in the table below.






## 3 APPLIANCE INSTALLATION (for the installer)

---

### 3.1 ELECTRICAL CONNECTION

The appliance should be electrically connected in compliance with regulations and laws in force. All flight dishwashers are delivered for connection to a 400 V3N~ 50Hz power supply;

- A. Before connecting the appliance, ensure that the voltage and frequency of the mains electricity supply correspond to those indicated on the rating plate and that the appliance is connected to an efficient earthing system;
- B. On the rear panel of the appliance there is a terminal marked with the symbol  which serves for the unipotential connection between various appliances.
- C. The appliance should be protected against overload and short-circuit by installing a three-pole magneto thermal switch, with suitable breaking capacity, or an under voltage knife switch and suitable capacity fuses of the gL type between the appliance and the power outlet and no more than 3 m from the electric control panel. A circuit breaker against indirect contacts, with tripping or cut-off current coordinated with the value of the resistance of the user's earthing system, should be installed immediately downstream of the magneto thermal switch or the knife switch/fuses. The switches are not supplied with the appliance and should be wall mounted in an accessible position at a height between 0.6 and 1.70 m inclusive.
- D. The cross section of the mains connecting lead, not supplied with the appliance, should be at least the size given in the wiring diagram attached to the appliance. If it is not protected by a conduit, use a cable with characteristics of at least the type H07RN-F. To avoid dangerous overheating, the mains connecting lead should have no kinks for its entire length (max. 3 m);
- E. To connect the appliance mains connecting lead, remove the clamping screws of the control panel cover and insert the cable through the cable clamp. Then connect it to the terminals L1/L2/L3, and the earth wire to the yellow-green terminal, subsequently tightening the cable clamp.

### 3.2 CONNECTION TO THE MAINS WATER SUPPLY AND TO THE DRAINAGE SYSTEM

The appliance should be electrically connected in compliance with regulations and laws in force. All flight dishwashers are delivered for connection to a 400 V3N~ 50Hz power supply;

- A. For trouble-free operation of the appliance, it is advisable to have the mains water analysed beforehand to check that the hardness is between 5 and 10°F (French degrees). If it is not within this range, it is advisable to install a suitable water softener.
- B. Make sure that the mains water pressure is at least 0.2 MPa (2 Bar) and does not exceed 0.4 MPa (4 Bar).
- C. The appliances are fitted with filter and pressure regulator. The recommended dynamic pressure (when rinsing) is between 0.1 and 0.13 MPa ( 1-1.3 Bar), depending on the model. If necessary, adjust it acting on the pressure-reducer A.
- D. The appliance (including those with pre-wash) should be supplied with hot water at a temperature of about 50°C, connecting the delivery pipe to the threaded inlet fitting (Dia. 3/4 " G) located below the same.
- E. If the appliance has a steam suction and condensation system, it should be supplied with cold water (temperature 10-15 °C) , connecting the delivery pipe to the threaded inlet fitting (Dia. 3/4 " G) located below the same.
- F. Having continuous operation, flight dishwashers need efficient drainage systems working by fall. To position the drains, and according to what specified at points c-d-e of this paragra refer to the data sheet supplied separately.

## 4 STARTING

---

### 4.1 RECOMMENDATIONS BEFORE WASHING

Make sure that:

- A. the wall switch is set to on;
- B. there is water coming from the mains supply;
- C. gate valves (cocks) of the supply water are open;
- D. all the filters are correctly positioned;
- E. the overflows are inserted properly into their seats;
- F. the curtain flaps are positioned correctly;
- G. the inspection doors are closed;
- H. any wash product containers are full;
- I. the tank and boiler thermostats, to be found inside the appliance, have been set correctly (80-85°C the boiler and 55-60°C the tank).

### 4.2 FILLING THE BOILER AND TANKS

IMPORTANT: upon installing the appliance, the "first filling" should be carried out with all the inspection doors closed in order to ensure total filling of the boiler. This is because the acknowledgement sent to the tank and boiler heating elements is given exclusively by the pressure switch which controls the tank level. If this procedure is not complied with, there is the

risk that the boiler heating element will work "dry", with consequent risk of damaging the whole boiler unit.

- A. Switch on the appliance via selector switch A;
- B. Wait for the blue indicator light D to come on, showing that the appliance is ready. This light only comes on when the appliance is full of water and the temperatures have been reached;
- C. Check that the wash tank level after filling is 0.5-1cm below the overflow level. Tank capacity is about 100 l.

### 4.3 CHECKS

- A. Check that the safety clutch of the flight system is adjusted correctly (it should be possible to stop the racks from moving forwards just using your hands). A complete set of racks loaded with plates should not cause slipping;
- B. Check correct operation of the economisers, which should stop the water supply when the rack comes out;
- C. If a wash product dispenser is installed, check that it is working properly;
- D. Check correct operation of the limit switch, which should stop forward movement when the rack reaches the end of the working surface.

## 5 WASHING THE DISHES

---

### 5.1 START OR RESTART

To start or restart the operating cycle, the machine must be "READY" to start work. The machine is in the "READY" status when all the alarm warning lights B-E-F-LM (red) are off and the indicator light D (blue) is on. Whenever the control panel indicates this status, the rack feed mechanism may be started and consequently operation in the automatic mode by pressing the "START" button C.

Having checked everything as instructed in chap.4 the appliance is ready to carry out the wash. If the appliance is not fitted with an automatic dispenser, pour the detergent by hand into the wash tank. Before starting the wash, it is necessary:

- A. to remove any large amounts of left-over food and any oily masses from the dishes;
- B. to soak the dishes first if a long time has elapsed between when they were used and washing;
- C. to place the crockery into the relative racks in such a way that the dishes are facing the appliance exit and that the trays are positioned parallel to the direction of movement of the flight;
- D. to press the START button C in order to make the flight system start;
- E. if the operator cannot remove the out coming racks, for the appliance to be connected to a limit switch, which stops its movement. To re-start work, it is sufficient to remove the rack from the limit switch and press the START button C again.

### 5.2 RECOMMENDATIONS DURING THE WASH

- A. It is advisable not to put bare hands into the water containing detergent, since this could cause burns or skin irritation. Should this happen, immediately rinse the area with abundant water;
- B. When the appliance is operating, do not open the doors too quickly;
- C. Only use specific anti-foam wash products for industrial dishwashers in the amounts recommended by the manufacturer according to the hardness of the water;
- D. Periodically stop the appliance to remove the filters from the tanks and clean them of the waste that is deposited there;
- E. Do not take out the pump suction filters when the tank is full;
- F. If the flight system stops due to a safety device, before removing the obstacle that has caused the problem, stop the appliance using the emergency button I;
- G. Check that the water temperatures remain at the recommended values (See 4.1).

### 5.3 RECOMMENDATIONS AFTER THE WASH

- A. Press button B (STOP) and turn the selector A to the "zero" position to stop the appliance;
- B. Put the wall switch to off and close the water supply cock;
- C. Remove the filters and clean them;
- D. Remove the overflows to empty the tanks. Then wash the bottoms of the tanks using a jet of water;
- E. Remove the pump suction filter and wash it with a jet of water;
- F. Remove and wash the spray guard curtain flaps;
- G. If necessary, remove the wash pipes (by rotating them) and the rinse pipes (by unscrewing the relative clamping screw) in order to clean them inside;
- H. The exterior surfaces of the appliance should be cleaned with a damp sponge, without using jets of water or abrasive or chlorinated detergents;
- I. Replace all the components, making sure that the spray guard curtain flaps have the short side facing the inlet for the dishes;
- J. To prevent the formation of unpleasant odours, it is advisable to leave the doors open.

## 5.4 REGULAR OPERATION

ARISTARCO flight dishwashers only work if conditions and ranges of use are suitable for giving an excellent final result.

These conditions are:

- A. sufficient quantity of water in the rinse stage/zone;
- B. min. temperature guaranteed in the rinse stage/zone;
- C. continuity and regularity of rack feed;
- D. correct closure of the inspection doors.

Operation is therefore interrupted (with alarm warning given on the control panel) whenever the parameters of use (conditions and range) are lacking.

The diagnostics section (on control panel) indicates the reason why the cycle has been stopped.

The parameters of use must be reset in order to restart the work cycle.

For the condition

- A. see paragraph 9, points 2-A, 2-B, 6-B, 6-D
- B. " " " " 6-D, all of point 7
- C. open the inspection doors and eliminate the cause of rack jamming (racks wedged or whatever)
- D. check that all the doors are closed properly.

When the parameters a, b and the condition d have been reset, this is indicated by the relative warning lights (red) L-M-F of diagnosis and B stop/alarm going out, while the "machine ready" indicator light D (blue) comes on.

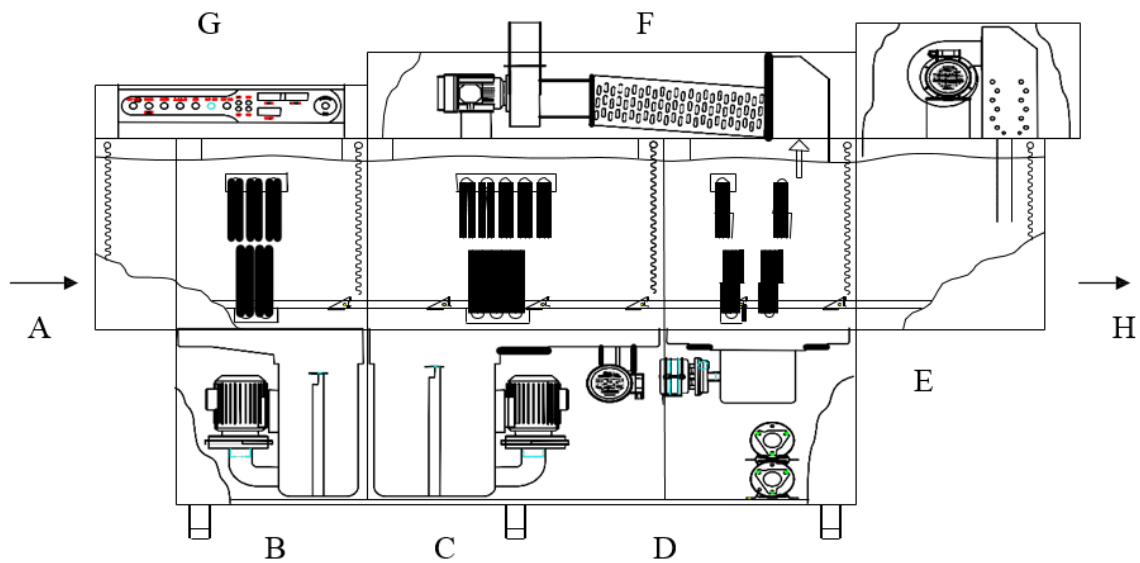
To reset the parameter c, put the automatic operation status back to "zero" by pressing the "stop/alarm" button B. The indicator light (red) of the same button goes out and at the same time the "machine ready" indicator light D (blue) comes on.

At this point restart the work cycle, as described in point 5.1 above.

## 6 DESCRIPTION OF THE APPLIANCE

### 6.1 DESCRIPTION OF THE APPLIANCE

The appliances are made entirely in AISI 304 stainless steel; the thickness of the plates are such to guarantee a long life. All the appliances have a wash and a rinse section, to which a pre-wash section or drying and steam condensation units may be added on request. The racks are pulled through the sections by an automatic system. Energy and noise dispersion are reduced to a minimum thanks to the application of insulating panels on the tanks, doors and rear wall. The wash and rinse pipes are made entirely of STAINLESS steel and have bayonet fittings to make dismantling and internal cleaning easy. The temperatures of all the various sections of the appliance are controlled by thermostats. The appliances with drying system have a turbine which, taking air from the outside makes it pass through a set of heating elements and conveys it over the crockery. Condensation is obtained by extracting steam through the coil of the regenerator in which cold water circulates.



- A = RACK ENTRY
- B = PRE-WASH
- C = WASH
- D = RINSE
- E = DRYING
- F = STEAM CONDENSATION
- G = CONTROL PANEL
- H = RACK EXIT

## 7 SAFETY DEVICES

---

All the machine are fitted with safety device for correct, safe use of the same; In particular:

- A. The inspection doors of the appliances are fitted with magnetic micro switches, so that when the doors are opened the cycle of the appliance is stopped. The doors also have a safety catch which prevents their total descent;
- B. The boilers and the tanks are fitted with safety thermostats;
- C. The heating elements are protected by fuses;
- D. The appliances are protected against accidental start-up (blue "machine ready" indicator light on the control panel);
- E. The wash pumps and the motors are fitted with a magneto thermal cut-out,
- F. The appliances are designed for connection to a micro limit switch for the rack exit tables it should be remembered that;
- G. It is forbidden to access inside the control panel;
- H. When the movement system is in operation, it is highly dangerous to enter into and exit from the appliance;
- I. It is forbidden to use the appliance without the supervision of an operator.

**IMPORTANT:** If it is necessary to replace the boiler or its heating element, it is to repeat the "FIRST FILLING" procedure described in section 4.2. This is done in order to avoid the heating element working "dry" with risk of damaging the actual boiler

The control panel of each machine have a diagnostic section consisting of 4 alarm warning light (red) to indicate:

	warning light	L
no water	"	"
inspection doors open	"	"
feed interrupted	"	"
low boiler temperature	"	"

There is also an emergency button (large red button) to stop the appliance.

N.B. In mod. AR 1650 stopping of the flight is not signalled by the diagnostics section Since the gear motor has a mechanical torque limiter (oil bath clutch).In this case the appliance continues to operate without the racks moving forwards. In this event stop the appliance to remove the cause of stoppage.

## 8 MAINTENANCE

---

Periodic but constant maintenance of the appliance is extremely important in order to avoid serious malfunctioning which could lead to long stops in work. All operations should be carried out in compliance with applicable safety regulations and standards and before any maintenance work the wall switch should therefore be put to position "O". In any case the appliance should be kept clean and in order, avoiding any temporary or haphazard repairs.

### 8.1 MAINTENANCE TO BE CARRIED OUT ONCE EVERY THREE WEEKS

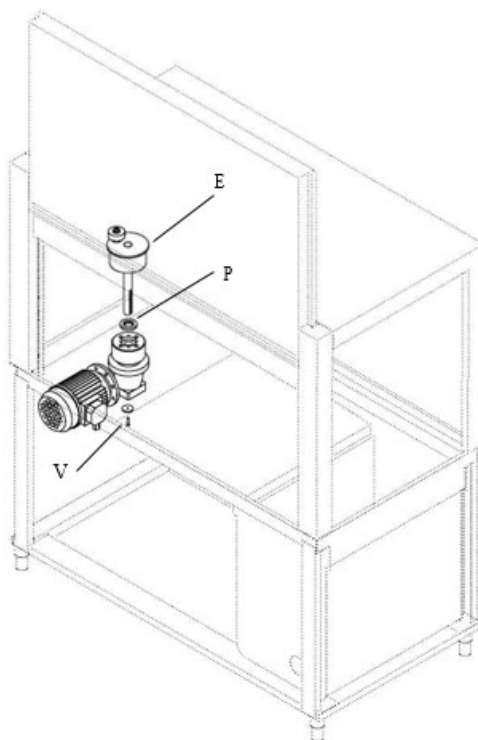
- A. remove the wash pipes (by rotation) and the rinse pipes (by unscrewing the relative screw) in order to clean them inside;
- B. remove and wash the spray guard curtain flaps;
- C. in appliances with steam condensation, clean the suction tunnel protection.

### 8.2 MAINTENANCE TO BE CARRIED OUT ONCE EVERY TWO MONTHS

- A. Check that the safety devices are efficient and in proper working order; e) check that the safety clutch is correctly calibrated;
- B. In appliances with steam condensation, check for dirt and if necessary clean;
- C. If there is a heavy build-up of scale inside the appliance, remove it using a suitable descaling product, following the instructions given by the manufacturer of the same. At the end of descaling, rinse the appliance.

### 8.3 MAINTENANCE TO BE CARRIED OUT EVERY 2000 HOURS AND/OR, IN ANY CASE, AT LEAST A TIME PER YEAR

Verify the seal working P (part number 5711) and/or replace it if necessary; in order to carry out this operation to unscrew the screw V, to take out the eccentric unit E, picking up the feather key between shaft and hub; to fill, in any case, the interstice between the seal lip and the dust cover lip, with food compatible atoxic grease (type LOCTITE 8105) with reference specifications FDA 21 CFR 178.3579 for USDA H1 and/or CNERNA for FRANCE.





## 9 IMPORTANT TIPS IN THE EVENT OF MALFUNCTIONING

TROUBLE	POSSIBLE CAUSES AND REMEDIES
1 The lights of the switches on the control panel do not come on	A) Check that the wall switch is put to on and that its fuses have not blown. B) Check that the bulbs are not burnt.
2 The tanks do not fill with water	A) Check that there is water coming from the mains and that the on/off cock (gate valve) is open. B) Check that the water inlet header filter is not clogged. C) Check that the pressure switches are not out of calibration or unserviceable. D) Check correct operation of the filling solenoid valve. E) Check that the overflows are present and correctly inserted into their seat.
3 Upon reaching the correct level, the water flow does not stop	A) Check that the pressure switches are not out of calibration or unserviceable. B) Check correct operation of the filling solenoid valve. C) Check that the air cage is vertical and that the connecting pipe is not disconnected
4 Insufficient wash	A) Make sure that the detergent is the correct type and being used in the correct amount (recommended by the detergent manufacturer). B) Check the wash pipe nozzles for clogging by impurities. C) Check that the tank water temperature is 60°C. D) Check correct pump operation (direction of rotation). E) Check the pump filter for clogging by impurities. F) Check that the overload cut-out has not tripped; if so, reset it.
5 Failure to reach the correct temperature in the tank	A) Check that the thermostats are not out of calibration, broken or incorrectly set. B) Check that the fuses and the coils of the contactors related to the tank heating elements are intact. C) Check correct operation of the tank heating elements and that they are not covered by scale. D) Check that the thermometers are not broken or out of calibration.
6 Insufficient rinse	A) Check the nozzles for clogging by scale. B) Check correct operation of the solenoid valve. C) Check the water inlet header filter for clogging. D) Check that the boiler is not clogged by scale.
7 Insufficient rinse temperature	A) Check that the water inlet temperature is at the recommended value. B) Check that the thermostat is not out of calibration, broken or incorrectly set. C) Check if the safety thermostat has tripped and if so, check the relative causes. D) Check that the thermometer is not out of calibration or broken. E) Check that the dynamic pressure at the pressure reducer does not exceed the recommended value. F) Check that the coil of the contactor related to the boiler heating element is intact. G) Check correct operation of the heating elements and that they are not covered by scale.
8 During operation the cycle stops without any diagnostics indication	A) Check the overload cut-outs and reset them if they have tripped. B) Check that the light bulbs of the diagnostics section are not burnt out.
9 The machine washes or rinses continuously when there are no racks inside.	A) Check correct operation of the economiser unit. B) Check that the ballast container containing the magnetic element of the economiser unit is firmly screwed down at the right distance. C) Check correct operation of the economiser system proximity microswitch.
10 The machine stops or does not start; the stopping of racks feed is indicated.	A) Restore condition C, as described in point 5.4. B) If the machine does not go into the "READY" condition, there is a problem with the control inverter of the rack feed unit driving motor.

## 10 WARRANTY CONDITIONS

---

-THE MACHINES IS GUARANTEED FOR A PERIOD OF ONE YEAR FROM THE DATE OF PURCHASE, PROOF OF WHICH IS PROVIDED BY A DOCUMENT THAT IS VALID FOR TAX PURPOSES, ISSUED BY THE AUTHORISED DEALER. THE DOCUMENT MUST INDICATE THE DEALER'S NAME AND THE SELLING DATE.

-THE DOCUMENT VALID FOR TAX PURPOSES ISSUED BY THE DEAKER MUST BE KEPT TOGETHER WITH THE MANUAL, IN ORDER TO KEEP THE WARRANTY VALID.

-A WARRANTY IS DEFINED AS THE REPLACEMENT OR REPAIR FREE OF CHARGE OF PARTS OF THE MACHINE THAT ARE DEFECTIVE BECAUSE OF MANUFACTURING FAULTS.

-IF SERVICE VISITS FOR APPLIANCES SHOULD BE NEEDED, THE USER MUST PAY THE "CALL-OUT CHARGE" IN USE AT THE MOMENT OF THE ASSISTANCE.

-THE WARRANTY DOES NOT EXTEND TO PARTS THAT ARE FAULTY DUE TO NEGLIGENCE OR CARELESS USE (FAILURE TO COMPLY WITH OPERATING INSTRUCTIONS), INCORRECT INSTALLATION OR MAINTENANCE CARRIED OUT BY UNAUTHORISED PERSONS, SHIPPING DAMAGE OR CIRCUMSTANCES THAT ARE NOT DUE TO MANUFACTURING FAULTS IN THE MACHINE.

-THE WARRANTY DOES NOT COVER CASES IN WHICH THE PRODUCT: HAS BEEN INCORRECTLY USED; HAS BEEN REPAIRED, SERVICED OR HANDLED BY AN UNAUTHORISED PERSON OR HAS BEEN REPAIRED AND FITTED WITH NON-APPROVED SPARE PARTS.

-THE WARRANTY DOES NOT COVER THE INSTALLATION OF THE WATER AND ELECTRIC POWER SUPPLY OR THE MAINTENANCE MENTIONED IN THIS MANUAL.

-ANY IMPROPER USE OF THE APPLIANCE ALSO VOIDS THIS WARRANTY.

-THE MANUFACTURER DECLINES ALL RESPONSABILITY FOR DIRECT OR INDIRECT HARM TO PERSONS, THINGS AND DOMESTIC ANIMALS THAT MAY ARISE DUE TO FAILURE TO COMPLY WITH THE PRESCRIPTIONS SET OUT IN THIS MANUAL AND IN PARTICULAR THE INSTRUCTIONS REGARDING INSTALLATION, USE AND MAINTENANCE OF THE MACHINE.

-IF THE MACHINE IS REPAIRED BY ONE OF THE AUTHORISED SERVICE CENTRES SPECIFIED BY THE MANUFACTURER THE RELATIVE TRANSPORT RISKS SHALL BE BORNE BY THE USER. TRANSPORT COSTS SHALL ALWAYS BE BORNE BY THE USER.

-REPLACING OR REPAIRING OF PARTS UNDER THE TERMS OF THIS WARRANTY SHALL NOT EXTEND THE DURATION OF THE WARRANTY OF THE ORIGINAL PRODUCT.

-THE MANUFACTURER ASSUMES NO RESPONSABILITY FOR ANY PRINTING ERRORS.

### MANUFACTURE'S NOTICE

THE MANUFACTURER RESERVES THE RIGHT TO MAKE ANY TECHNICAL OR AESTHETIC MODIFICATIONS THAT WILL IMPROVE THE QUALITY AND EFFICIENCY OF THE MACHINE WITHOUT PRIOR NOTICE AND WITHOUT HAVING TO UPDATE THIS MANUAL. NO PART OF THIS MANUAL MAY BE REPRODUCED.

# 1 AANBEVELINGEN

---

Het is heel belangrijk dat dit instructieboekje veilig bewaard wordt bij het apparaat voor toekomstig inkijken. In het geval van een verkoop of overdracht naar een andere gebruiker, gelieve ervoor te zorgen dat het boekje altijd bij het apparaat blijft zodat de nieuwe eigenaar alle informatie bij de hand heeft in verband met de operatie en relatieve aanbevelingen. Deze aanbevelingen worden gegeven om veiligheidsredenen. Ze moeten aandachtig gelezen worden voor de installatie en voordat u het apparaat gebruikt.

- Nadat u de verpakking verwijderd heb, controleer onmiddellijk of het apparaat intact is. Als uw nieuw apparaat beschadigd zou zijn, gebruik het dan niet maar neem onmiddellijk contact op met uw leverancier. De verpakkingsmaterialen mogen niet binnen bereik van kinderen blijven, want ze zijn een potentiële bron van gevaar.
- Eventuele aanpassingen van het elektrisch en watersysteem om het apparaat te installeren, mogen enkel uitgevoerd worden door gekwalificeerde elektriciens en loodgieters.
- Dit apparaat mag enkel gebruikt worden door volwassenen die hiervoor een opleiding gehad hebben.
- Zorg ervoor dat het apparaat niet op de netspanningskabel of aanvoer- en afvoerbuizen rust, pas indien nodig de hoogte van het apparaat aan met de voetjes, zodat het apparaat genivelleerd staat.
- Het apparaat werd ontwikkeld om servies, glazen, kopjes, bestek en plateau's te wassen. Elk ander gebruik – zoals zoals het wassen van voorwerpen die besmet zijn met benzine, verf, staal of ijzerafval, corrosieve zuren of alkalische chemische producten, oplosmiddelen of onderwerpen die groter zijn dan de werkdoorgang van het apparaat – worden als onjuist en dus gevaarlijk beschouwd.
- Het apparaat is als IPX2 aangewezen en mag daarom niet gewassen worden met hogedruk water.
- Het apparaat is gemaakt volgens de regels van goed vakmanschap die in Italië en het buitenland gelden, in overeenstemming met EEC-richtlijnen en de huidige wetgeving.
- Haal het apparaat van elektrische stroom af na gebruik met de aan/uit schakelaar gemonteerd op de muur.
- Stel het apparaat niet bloot aan de elementen of omgevingen met temperaturen minder dan 0°C.
- Probeer nooit het apparaat te herstellen. Herstellingen door onervaren personen kunnen schade aanbrengen of de storing verergeren.
- Dit apparaat moet onderhouden worden door erkende specialisten.
- Als het apparaat onherstelbaar is, moet het onbruikbaar gemaakt worden: de elektrische en wateraansluitingen loskoppelen/afsluiten.
- De geluidsdruk van het lege apparaat gemeten vanop 1m en vanop 1,6m hoogte, is 70 dB(A) en 75 dB(A) voor apparaten met een droogfunctie.
- Verander de beschermende omhulsels niet en verwijder ze enkel als het apparaat stil staat en de elektrische stroom is afgezet.
- En product dat niet meer werkt moet onbruikbaar gemaakt worden: sluit elektrische en waterverbindingen af.
- Als u dit product wil weggoien, zet het dan niet bij het huisvuil. Er is een systeem van afzonderlijk verzamelde fracties in overeenstemming met de wet die een speciale behandeling, ophaling en recyclage vereist.
- Privé-burgers van EU lidstaten, Zwitserland en Noorwegen mogen het apparaat op het einde van de levensduur brengen naar aangewezen centra voor de afzonderlijk verzamelde fracties van elektronisch en elektrotechnisch afval. Anders kan u, wanneer u een nieuw, gelijkaardig apparaat aanschaft, de leverancier vragen om het oude apparaat weg te nemen.
- Voor landen hierboven niet vermeld, gelieve de lokale autoriteiten te contacteren voor de correcte methode om weg te gooien.
- Correcte aparte ophaling van oude apparaten voor latere recyclage draagt bij tot het voorkomen van mogelijk negatieve effecten op het milieu en de gezondheid en moedigt recyclage van de materialen waarvan het apparaat gemaakt is aan.
- Illegale verwijdering van het product door de gebruiker kan leiden tot de toepassing van administratieve boetes onder de toepasselijke wetgeving.



## 2 TRANSPORT EN VERPLAATSING VAN HET APPARAAT

---

### 2.1 TRANSPORT EN VERPAKKING

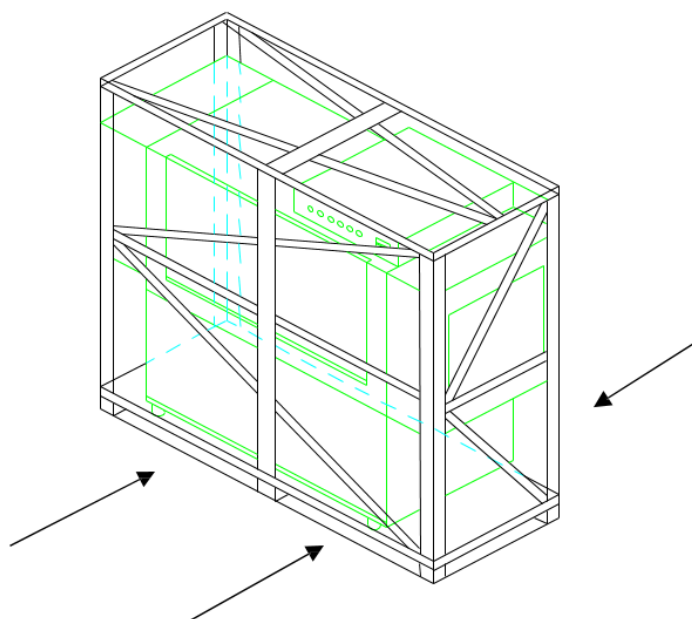
Het apparaat mag getransporteerd worden per vrachtwagen of container.

Hetzelfde type verpakking geldt in beide gevallen, nl. houten kratten op pallet.

Voor verpakking, worden de apparaten beschermd door ze te omwikkelen met lage dichtheid polyethyleen.

### 2.2 VERPLAATSING

Het apparaat mag alleen verplaatst worden zoals getoond in onderstaande afbeelding, en let daarbij op de ingangspunten voor de vorken van de heftruck. Het krat mag niet worden opgeheven met touwen.

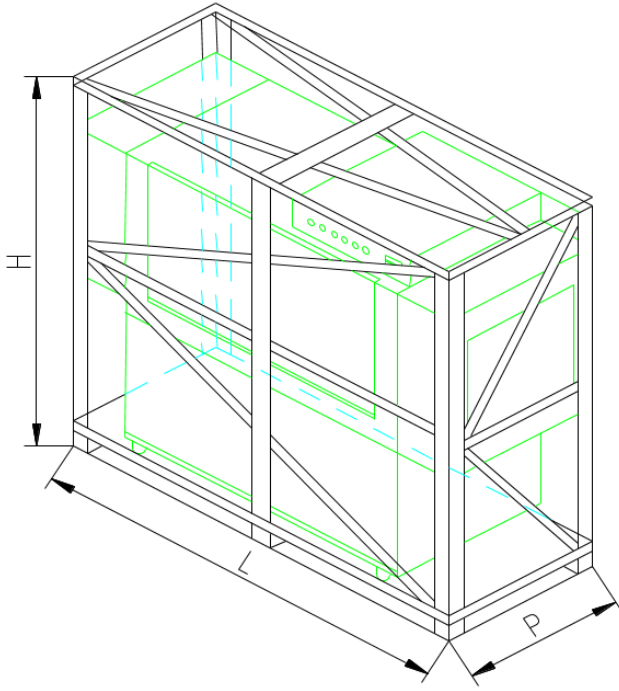


### 2.3 OPSLAG

De methodes om het apparaat en de toestellen gebruikt voor het verplaatsen ervan op te slaan, moeten geschikt zijn om te voorkomen dat er schade wordt veroorzaakt door vibratie, schokken, schuren, corrosie, enz. De conditie van de opgeslagen apparaten moet periodiek gecontroleerd worden.

### 2.4 AFMETINGEN

De vaatwasmachines bestaan in verschillende modellen, waarbij de maten en relatieve afmetingen apart geleverd worden. De afmetingen van de houten kratten van de verschillende modellen in de standaardversie staan in onderstaande tabel.




MOD.	7280.0085 7280.0090 7280.0095 7280.0100	AR1650	AR2000	AR2500	AR3000	AR3500	AR4000
L(mm)	1300	1700	1950	1950	2180	3240	3240
H(mm)	1720	1980	1980	1980	1980	1980	1980
P(mm)	940	900	900	900	900	900	900

## 3 APPARAAT INSTALLATIE (voor de installateur)

---

### 3.1 ELEKTRISCHE AANSLUITING

Het apparaat moet elektrisch aangesloten worden in overeenstemming met de geldende voorschriften en wetten. Alle vaatwasmachine worden geleverd voor aansluiting op een 400 V3N~ 50Hz voeding;

- A. Voordat u het apparaat aansluit, moet u controleren of de spanning en frequentie van de netvoeding overeenkomen met wat er aangegeven staat op het typeplaatje en dat het apparaat verbonden is op een efficiënt aardingssysteem;
- B. Op het achterpaneel van het apparaat is een terminal gemarkeerd met het symbool  dat dient voor de unipotentiële verbinding tussen verschillende apparaten.
- C. Het apparaat dient tegen overbelasting en kortsluiting te worden beveiligd door een driepolige magneto-thermische schakelaar met geschikte breekcapaciteit of een onderspanningsschakelaar te installeren en geschikte capaciteitszekeringen van het type nl. tussen het apparaat en het stopcontact te voorzien, niet meer dan 3m van het elektrische bedieningspaneel. Een stroomonderbreker tegen indirecte contacten, met uitschakeling of afsnijstroom gecoördineerd met de waarde van de weerstand van het aardingssysteem van de gebruiker, moet onmiddellijk stroomafwaarts van de magneto-thermische schakelaar of de mes wisselaar/zekeringen worden geïnstalleerd. De schakelaars worden niet meegeleverd met het apparaat en moeten in een toegankelijke stand op een hoogte van 0,6 en 1,70 m gemonteerd worden.
- D. De doorsnede van de aansluitkabel, die niet bij het apparaat wordt geleverd, moet tenminste de grootte zijn die in het schakelschema dat op het apparaat is bevestigd, gegeven is. Als het niet door een leiding is beschermd, gebruik dan een kabel met eigenschappen van ten minste het type H07RN-F. Om gevaarlijke oververhitting te voorkomen, mag het netsnoer geen knopen hebben over de volledige lengte (maximaal 3m);
- E. Verwijder de klemschroeven van de bedieningspaneel cover en breng de kabel in door de kabelklem om de belangrijkste aansluitkabel van het apparaat aan te sluiten. Verbind het daarna met terminals L1/L2/L3, en de aardingskabel naar de geelgroene terminal, en trek vervolgens de kabelklem vast.

### 3.2 AANSLUITING OP DE WATERVOORZIENING EN AFVOERSYSTEEM

Het apparaat moet elektrisch aangesloten zijn in overeenstemming met de geldende voorschriften en wetten. Alle vaatwasmachine worden geleverd voor aansluiting op een 400 V3N~ 50Hz voeding;

- A. Voor het probleemloze gebruik van het apparaat is het raadzaam om vooraf het water te analyseren om te controleren of de hardheid tussen 5 en 10 ° C is. Als het niet binnen dit bereik ligt, is het raadzaam om een geschikt waterverzachter te installeren.
- B. Zorg ervoor dat de waterdruk van de leiding minimaal 0,2 MPa (2 bar) bedraagt en niet groter is dan 0,4 MPa (4 Bar).
- C. De toestellen zijn uitgerust met filter- en drukregelaar. De aanbevolen dynamische druk (bij het afspoelen) is tussen 0.1 en 0.13 MPa (1-1.3 Bar), afhankelijk van het model. Pas dit indien nodig aan op drukreductor A.
- D. Het apparaat (inclusief die met voorwas) moet met warm water bij een temperatuur van ongeveer 50 ° C worden geleverd, waarbij de afvoerpijp wordt verbonden met de schroefdraadinvoer (Dia. 3/4 "G) die daar net onder ligt.
- E. Als het apparaat stoomzuigers en condensatiesystemen heeft, moet het met koud water (temperatuur 10-15 ° C) worden geleverd, waarbij de afvoerpijp wordt verbonden aan de ingangen van de schroefdraad (Dia. 3/4 "G) daaronder.
- F. Omwille van continue werking, hebben de vaatwasmachines een efficiënt afvoersysteem nodig die met vallen werken. Om de afvoerpijpen te plaatsen, en volgens wat er in punten c-d-e van deze paragraaf gespecificeerd wordt, verwijzen wij u naar het afzonderlijk geleverde datasheet.

## 4 OPSTARTEN

---

### 4.1 AANBEVELINGEN VOOR WASSEN

Zorg ervoor dat:

- A. de muurschakelaar op aan staat;
- B. er water uit de wateraansluiting aankomt;
- C. de hekventielen (hanen) van de wateraanvoer open zijn;
- D. alle filters correct geplaatst zijn;
- E. de overlopen correct in hun zitplaatsen geplaatst zijn;
- F. de gordijnflappen correct geplaatst zijn;
- G. de inspectiedeuren gesloten zijn;
- H. alle wasproductcontainers vol zijn;
- I. de tank- en ketelthermostaten die in het apparaat zitten correct ingesteld zijn (80-85°C de boiler en 55-60°C de ketel).

### 4.2 DE BOILER EN TANKS VULLEN

**BELANGRIJK:** bij het installeren van het apparaat dient de "eerste vulling" te worden uitgevoerd met alle inspectiedeuren gesloten om te zorgen dat de ketel volledig wordt gevuld. Dit is omdat de bevestiging die gestuurd wordt naar de verwarmingselementen van de tank en de boiler uitsluitend worden gegeven door de drukschakelaar die het tankniveau regelt. Als deze procedure niet wordt nageleefd, is er het risico dat het verwarmingselement van de boiler "droog" zal werken, met als gevolg het risico om de hele boiler te beschadigen.

- A. Zet het apparaat aan via keuzeschakelaar A;
- B. Wacht tot het blauw indicatorlicht D aankomt, dit laat zien dat het apparaat klaar is. Dit licht komt alleen aan wanneer het apparaat vol met water is en de temperatuur bereikt werd;
- C. Controleer of het was reservoir na het vullen 0.5-1cm onder het overlooppniveau blijft. Tank capaciteit bedraagt ongeveer 100 l.

### 4.3 CONTROLES

- A. Controleer of de veiligheidskoppeling van het vluchtsysteem correct is aangepast (het zou mogelijk zijn om de rekken te stoppen en niet naar voor te laten gaan met enkel uw handen). Een complete set van rekken geladen met borden mag niet leiden tot glijden;
- B. Controleer de juiste werking van de economizers, die de watertoevoer moeten stoppen wanneer het rek erop komt;
- C. Als er een was dispenser is geïnstalleerd, controleer of het goed werkt;
- D. Controleer de correcte werking van de limiet schakelaar, die de voorwaartse beweging moet stoppen als het rek het uiteinde van het werkoppervlak bereikt.

## 5 DE VAAT WASSEN

---

### 5.1 STARTEN OF HERSTARTEN

Om de bedrijfscyclus te starten of opnieuw te starten, moet de machine "KLAAR" zijn om het werk te starten. De machine staat in de "KLAAR" status wanneer alle waarschuwinglampjes B-E-F-LM (rood) zijn uitgeschakeld en het controlelampje D (blauw) brandt. Wanneer het bedieningspaneel deze status aangeeft, kan het rekvoermecanisme worden gestart en dus in de automatische modus werken door op de "START"-knop C te drukken.

Nadat u alles gecontroleerd hebt zoals in hoofdstuk 4 is aangegeven, is het apparaat klaar om de was te doen. Als het apparaat niet is uitgerust met een automatische dispenser, gooi het wasmiddel met de hand in de wasbak. Voordat u de was begint, is het nodig:

- A. om eventuele grote hoeveelheden overgebleven voedsel en eventuele oliehoudende massa's uit de afwas te verwijderen;
- B. om de afwas eerst te weken als er een lange tijd is verstreken tussen het gebruik en het wassen ervan;
- C. om het servies in de relatieve rekken op zodanige wijze te plaatsen dat de afwas tegen de afvoer van het apparaat staat en dat de bakjes parallel zijn aan de bewegingsrichting van de vlucht;
- D. om op de START-toets C te drukken om het systeem te starten;
- E. als de bediener de uitstaande rekken niet kan verwijderen, omdat het toestel op een limietschakelaar is aangesloten, die de beweging stopt. Om het werk opnieuw te starten, is het voldoende om het rek van de limiet schakelaar te verwijderen en druk nogmaals op de START-toets C.

### 5.2 AANBEVELINGEN TIJDENS WASSEN

- A. Het is raadzaam om niet blote handen in het waterhoudende wasmiddel te zitten, omdat dit brandwonden of huidirritatie kan veroorzaken. Als dit gebeurt, spoel het gebied onmiddellijk met overvloedig water;
- B. Open de deur niet te snel als het apparaat werkt;
- C. Gebruik uitsluitend anti-schuim afwasmiddelen voor industriële afwasmachines in de hoeveelheden die door de fabrikant worden aanbevolen volgens de hardheid van het water;
- D. Stop het apparaat periodiek om de filters uit de tanks te verwijderen en ze te reinigen van het afval dat daar wordt gedeponneerd;
- E. Verwijder de pompfilter niet wanneer de tank vol is;
- F. Als het vluchtsysteem stopt door een veiligheidsinrichting, moet u het toestel met behulp van de noodtoets I stoppen voordat u het obstakel dat het probleem heeft veroorzaakt, verwijdert;
- G. Controleer of de watertemperatuur op de aanbevolen waarden blijft (zie 4.1).

### 5.3 AANBEVELINGEN NA WASSEN

- A. Druk op knop B (STOP) en draai de selector A naar de "nul" positie om het apparaat te stoppen;
- B. Zet de wandschakelaar uit en sluit de watertoevoerhaan;
- C. Verwijder de filters en maak ze schoon;
- D. Verwijder de overloop om de tanks leeg te maken. Was dan de bodem van de tanks met een straal water;
- E. Verwijder het pompfilter en maak het schoon met een straal water;
- F. Verwijder en was de gordijnkleppen van de sproeiklep;
- G. Verwijder eventueel de waspijpen (door ze te draaien) en de spoelpijpen (door de relatieve klemschroef los te draaien) om ze binnen te reinigen;
- H. De buitenoppervlakken van het apparaat moeten met een vochtige spons worden gereinigd, zonder waterdruppels of schurende of gechlorideerde wasmiddelen te gebruiken;
- I. Zet alle componenten terug, zorg ervoor dat de gordijnkleppen van de spuitbeschermer de korte zijde naar de inlaat voor de afwas hebben;
- J. Om de vorming van onaangename geuren te voorkomen, is het raadzaam de deuren open te laten.



## 5.4 NORMAAL GEBRUIK

ARISTARCO-vaatwasmachines werken alleen als de voorwaarden en gebruiksgebieden geschikt zijn voor een uitstekend eindresultaat.

Deze voorwaarden zijn:

- A. voldoende hoeveelheid water in de spoelfase/zone;
- B. min. temperatuur gegarandeerd in de spoelfase/zone;
- C. continuïteit en regelmatigheid van rek aanvoer;
- D. correcte sluiting van de inspectie deuren.

De werking wordt daarom onderbroken (met waarschuwing op het bedieningspaneel) wanneer de parameters van het gebruik (omstandigheden en bereik) ontbreken.

De sectie Diagnostiek (op het bedieningspaneel) geeft aan waarom de cyclus is gestopt.

De parameters van het gebruik moeten opnieuw worden ingesteld om de werkcyclus opnieuw te starten.

Voor de voorwaarden

- A. zie paragraaf 9, punten 2-A, 2-B, 6-B, 6-D
- B. " " " " 6-D, volledig punt 7
- C. open de inspectie deuren en elimineer de oorzaak van rekstoring (rekken vast of iets dergelijk)
- D. Controleer of alle deuren goed gesloten zijn.

Wanneer de parameters a, b en de conditie d zijn gereset, wordt dit aangegeven door de relatieve waarschuwingslampjes (rood) LMF van de diagnose en B stop/alarm uitgaan, terwijl het "machine klaar" indicator lampje D (blauw) aan staat.

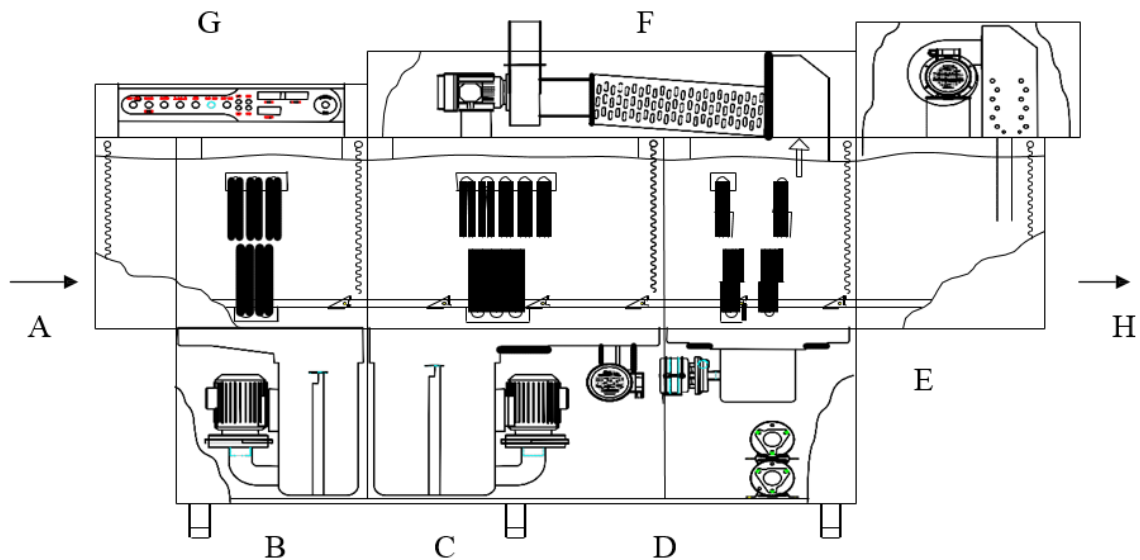
Als u de parameter c wilt resetten, zet u de automatische bediening status terug naar "zero" door op de knop "stop/alarm" te drukken B. Het controlelampje (rood) van dezelfde knop gaat uit en tegelijkertijd de indicator "machine klaar" Licht D (blauw) springt op.

Op dit punt herstart u de werkcyclus, zoals beschreven in punt 5.1 hierboven.

## 6 BESCHRIJVING VAN HET APPARAAT

### 6.1 BESCHRIJVING VAN HET APPARAAT

apparaten zijn geheel gemaakt in AISI 304 roestvrij staal; De dikte van de platen is zodanig om een lange levensduur te waarborgen. Alle apparaten hebben een was- en spoelgedeelte, waaraan op aanvraag een voorwas- of droog- en stoomcondensatie-eenheid kan worden toegevoegd. De rekken worden door de secties door een automatisch systeem getrokken. Energie en geluidsdispersie worden tot een minimum beperkt, dankzij de toepassing van isolatiepanelen op de tanks, deuren en achterwanden. De was- en spoelpijpen zijn geheel vervaardigd uit RVS staal en hebben bajonetbeslag om de demontering en de interne reiniging makkelijk te maken. De temperaturen van alle verschillende onderdelen van het apparaat worden geregeld door thermostaten. De toestellen met droogstelsel hebben een turbine, die door lucht vanuit de buitenkant door een reeks verwarmingselementen passeert en over de servies leidt. Condensatie wordt verkregen door het verwijderen van stoom door de spoel van de regenerator waarin koud water circuleert.



- A = REK INGANG
- B = VOOR-WAS
- C = WAS
- D = SPOELEN
- E = DROGEN
- F = STOOM CONDENSATIE
- G = BEDIENINGSPANEEL
- H = REK UITGANG

## 7 VEILIGHEIDSUITRUSTING

---

Alle machines zijn uitgerust met een veiligheidsapparaat voor correct, veilig gebruik; met name:

- A. De inspectie deuren van de apparaten zijn uitgerust met magnetische microscharnelaars, zodat bij het openen van de deuren de cyclus van het apparaat wordt gestopt. De deuren hebben ook een veiligheidsvangst die hun totale afdaling voorkomt;
- B. De ketels en de tanks zijn uitgerust met veiligheidsthermostaten;
- C. De verwarmingselementen zijn beveiligd door zekeringen;
- D. De apparaten zijn beschermd tegen onopzettelijk opstarten (blauw "machine klaar" indicator op het bedieningspaneel);
- E. De waspompen en de motoren zijn uitgerust met een magnetische thermische stop,
- F. De toestellen zijn ontworpen om te verbinden met een micro-limiet schakelaar voor de rack exit tafels, dat moet worden onthouden dat;
- G. Het verboden is toegang te krijgen tot het bedieningspaneel;
- H. Wanneer het bewegingssysteem in bedrijf is, het zeer gevaarlijk is om het apparaat in te gaan en uit te gaan;
- I. Het verboden is om het apparaat zonder het toezicht van een exploitant te gebruiken.

**BELANGRIJK:** Als het nodig is de ketel of het verwarmingselement te vervangen, moet u de procedure "EERST VULLING" herhalen zoals beschreven in paragraaf 4.2. Dit wordt gedaan om te vermijden dat het verwarmingselement werkt "droog" met het risico dat de werkelijke ketel wordt beschadigd

Het bedieningspaneel van elke machine heeft een diagnostische sectie bestaande uit 4 alarm waarschuwingslampje (rood) om aan te geven:

geen water	waarschuwingslamp	L
inspectie deuren open	"	F
aanvoer onderbroken	"	E
lage boiler temperatuur	"	M

Er is ook een noodknop (grote rode knop) om het apparaat te stoppen.

N.B. In mod. AR 1650 stoppen van de vlucht wordt niet door de diagnose sectie aangeduid Omdat de versnellingsbak een mechanische koppelbegrenzer heeft (oliebadkoppeling). In dit geval blijft het apparaat zonder de racks naar voren bewegen. In dit geval stop het apparaat om de oorzaak van stopstand te verwijderen.

## 8 ONDERHOUD

---

Periodiek maar constant onderhoud van het apparaat is van groot belang om ernstige storingen te vermijden die tot lange stopzetten in het werk kunnen leiden. Alle werkzaamheden dienen te worden uitgevoerd in overeenstemming met de geldende veiligheidsvoorschriften en normen en voor elke onderhoudswerkzaamheden moet de wandschakelaar daarom in de stand "O" worden geplaatst. In ieder geval moet het apparaat schoon en in orde gehouden worden, tijdelijke of lukraak reparaties vermijden.

### 8.1 ONDERHOUD ELKE DRIE WEKEN UIT TE VOEREN

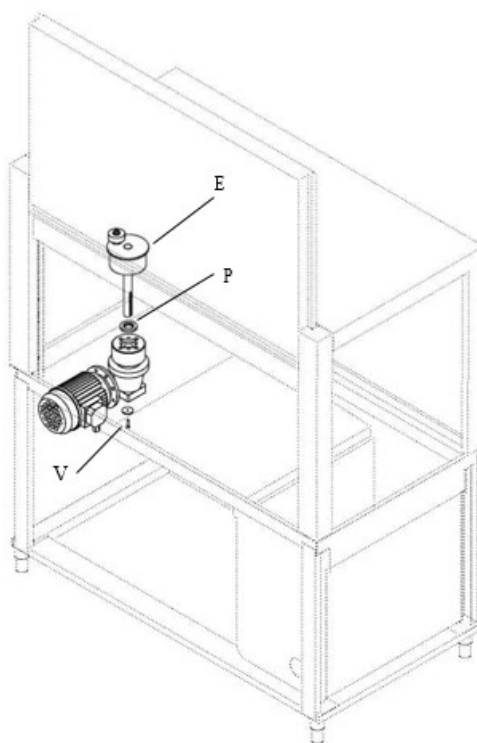
- A. Verwijder de waspijpen (bij rotatie) en de spoelpijpen (door de relatieve schroef los te draaien) om ze binnen te reinigen;
- B. de gordijnflappen van de sproeiklep verwijderen en wassen;
- C. reinig de zuigtunnelbeveiliging in toestellen met stoomcondensatie.

### 8.2 ONDERHOUD ELKE TWEE MAANDEN UIT TE VOEREN

- A. Controleer of de veiligheidsinrichtingen efficiënt en in goede staat zijn; e) controleer of de veiligheidskoppeling correct is gekalibreerd;
- B. In apparaten met stoomcondensatie, controleer op vuil en indien nodig schoonmaken;
- C. Als er sprake is van een zware opbouw van de schaal in het apparaat, verwijder het met een geschikt ontkalkt product volgens de instructies van de fabrikant van hetzelfde. Spoel het apparaat aan het einde van het ontkalken.

### 8.3 ONDERHOUD ELKE 2000 UREN UIT TE VOEREN EN/OF, IN ELK GEVAL, MINSTENS EENS PER JAAR

Controleer het afdichtingswerk P (onderdeelnummer 5711) en/of vervang het indien nodig; Om deze bewerking uit te voeren, schroef de schroef V los om de excentrische eenheid E te verwijderen, de veertoets tussen de as en de naaf op te halen; Om in ieder geval de tussenruimte tussen de afdichtlip en de stofkaplip te vullen, met voedsel specifieke atoxische vet (type LOCTITE 8105) met referentie specificaties FDA 21 CFR 178.3579 voor USDA H1 en/of CNERNA voor FRANKRIJK.



## 9 BELANGRIJKE TIPS IN GEVAL VAN STORING

PROBLEEM	MOGELIJKE OORZAKEN EN OPLOSSINGEN
1 Lampjes van de schakelaars op het bedieningspaneel komen niet aan	A) Controleer of de wandschakelaar aan staat en dat de zekeringen niet zijn gesprongen. B) Controleer of de lampen niet verbrand zijn.
2 De tanks vullen niet met water	A) Controleer of water uit de aansluiting komt en dat aan/uit afvoerpijp (hekklep) open is. B) Controleer of het hoofdfilter voor de wateraanvoer niet verstopt is. C) Controleer of de drukschakelaars niet uit kalibratie of onbruikbaar zijn. D) Controleer de juiste werking van de vul solenoïde klep. E) Controleer of de overlopen aanwezig zijn en correct op hun plaats zitten.
3 Bij het bereiken van het juiste niveau stopt de waterstroom niet	A) Controleer of de drukschakelaars niet uit kalibratie of onbruikbaar zijn. B) Controleer de juiste werking van de vul solenoïde klep. C) Controleer of de luchtkooi verticaal is en dat de verbindingsspij niet is losgekoppeld
4 Onvoldoende was	A) Zorg ervoor dat het wasmiddel het juiste type is en in de juiste hoeveelheid wordt gebruikt (aanbevolen door de wasmiddelfabrikant). B) Controleer de spuitmondstukken voor verstopping door onzuiverheden. C) Controleer of de watertemperatuur van de tank 60 ° C is. D) Controleer de juiste werking van de pomp (rotatierichting). E) Controleer de pompfilter voor verstopping door onzuiverheden. F) Controleer of de overbelasting uitgang niet is ingeschakeld; Zo ja, stel opnieuw in.
5 Het niet bereiken van de juiste temperatuur in de tank	A) Controleer of de thermostaten niet uit de kalibratie, kapot of fout ingesteld zijn. B) Controleer of de zekeringen en de spoelen van de contactoren met betrekking tot de tankverwarmingselementen intact zijn. C) Controleer de juiste werking van de tankverwarmingselementen en dat ze niet onder de schaal vallen. D) Controleer of de thermometers niet kapot of uit kalibratie zijn.
6 Onvoldoende spoelen	A) Controleer de mondstukken voor verstopping volgens schaal. B) Controleer de juiste werking van de magneetklep. C) Controleer de waterinvoer hoofdfilter voor verstopping. D) Controleer of de ketel niet op schaal verstopt is.
7 Onvoldoende spoel temperatuur	A) Controleer of de waterinlaat temperatuur op de aanbevolen waarde ligt. B) Controleer of de thermostaat niet kalibrerend is, kapot of onjuist ingesteld. C) Controleer of de veiligheidsthermostaat op staat en zo ja, check de oorzaken. D) Controleer of de thermometer niet uit kalibratie of kapot is. E) Controleer of de dynamische druk bij de drukverminderaar de aanbevolen waarde niet overschrijdt. F) Controleer of de spoel van de contactor met betrekking tot het verwarmingselement van de ketel intact is. G) Controleer de correcte werking van de verwarmingselementen en dat ze niet onder de schaal vallen.
8 Tijdens gebruik stopt de cyclus zonder enige diagnostische indicatie	A) Controleer de overbelasting uitzettingen en reset ze als ze ingeschakeld zijn. B) Controleer of de lampen van het diagnosesectie niet uitgebrand zijn.
9 De machine wast of spoelt continu als er geen rekken in zijn.	A) Controleer de correcte werking van de economizer-eenheid. B) Controleer of de ballastcontainer die het magnetische element van de economizer bevat, stevig op de juiste afstand is afgeschroefd. C) Controleer de juiste werking van de nabijheids microswitch van het economiseringssysteem.
10 Machine stopt of start niet; rekaanvoer stop aangegeven.	A) Herstel conditie C, zoals beschreven in punt 5.4. B) Als de machine niet in de " KLAAR " toestand staat, is er een probleem met de regelomvormer van de rijmotor.

## 10 GARANTIE VOORWAARDEN

---

-DE MACHINES VALLEN ONDER GARANTIE VOOR EEN PERIODE VAN EEN JAAR VANAF AANKOOPDATUM, BEWIJS WAARVAN VERSTREKT WORDT DOOR EEN DOCUMENT DAT GELDT VOOR BELASTINGSDOELEINDEN, UITGEGEVEN DOOR DE GEAUTORISEERDE DEALER. HET DOCUMENT MOET MINSTENS DE NAAM VAN DE DEALER EN VERKOOPDATUM VERMELDEN.

-HET DOCUMENT GELDIG VOOR BELASTINGSDOELEINDEN UITGEGEVEN DOOR DE DEALER MOET SAMEN MET DE HANDLEIDING BEWAARD WORDEN, OM DE GARANTIE GELDIG TE HOUDEN.

-EEN GARANTIE WORDT OMSCHREVEN ALS DE VERVANGING OF GRATIS HERSTELLING VAN ONDERDELEN VAN DE MACHINE DIE DEFECT ZIJN OMWILLE VAN FABRIEKSFOUTEN.

-ALS SERVICE BEOZKEN VOOR DIT APPARAAT NODIG Zouden ZIJN, MOET DE GEBRUIKER EEN "OPROEPINGSKOT" BETALEN DIE OP HET MOMENT VAN BIJSTAND GELDT.

-DE GARANTIE GELDT NIET VOOR ONDERDELEN DIE DEFECT ZIJN OMWILLE VAN NALATIGHEID OF ONVOORZICHTIG GEBRUIK (NIET VOLDOEN AAN DE GEBRUIKSINSTRUCTIES), INCORRECTE INSTALLATIE OF ONDERHOUD UITGEVOERD DOOR NIET-GEAUTORISEERDE PERSONEN, TRANSPORTSCHADE OF OMSTANDIGHEDEN DIE NIET LIGGEN AAN FABRIEKSFOUTEN IN DE MACHINE.

-DE GARANTIE DEKT GEEN GEVALLEN WAARIN HET PRODUCT: ONJUIST GEBRUIKT XERD; HERSTELD, ONDERHOUDEN OF GEBRUIKT WERD DOOR NIET-GEAUTORISEERDE PERSONEN OF HERSTELD WERD EN UITGERUST MET NIET-TOEGALTEN RESERVEONDERDELEN.

-DE GARANTIE HEEFT GEEN BETREKKING OP DE INSTALLATIE VAN DE WATER EN ELEKTRICITEITSAANVOER OF ONDERHOUD VERMELD IN DEZE HANDLEIDING.

-ELK ONJUIST GEBRUIK VAN HET APPARAAT VERNIETIGT DEZE GARANTIE OOK.

-DE FABRIKANT WEIGERT ALLE VERANTWOORDELIJKHEDEN VOOR DIRECTE OF INDIRECTE SCHADE AAN PERSONEN, DINGEN EN HUIDDIEREN DIE KUNNEN VOORTKOMEN UIT HET NIET VOLDOEN AAN DE VOORSCHRIFTEN IN DEZE HANDLEIDING EN VOORAL DE INSTRUCTIES OVER INSTALLATIE, GEBRUIK EN ONDERHOUD VAN DE MACHINE.

-ALS DE MACHINE HERSTELD IS DOOR EEN VAN DE GEAUTORISEERDE DIENSTCENTERS VERMELD DOOR DE FABRIKANT, DAN ZULLEN DE TRANSPORTRISICO'S HIERBIJ GEDRAGEN WORDEN DOOR DE GEBRUIKER. TRANSPORTKOSTEN ZULLEN ALTIJD TEN DELE VALLEN VAN DE GEBRUIKER.

-ONDERDELEN VERVANGEN OF HERSTELLEN ONDER DEZE GARANTIE, ZAL DE DUUR VAN DE GARANIE VAN HET ORIGINEEL PRODUCT NIET VERLENGEN.

-DE FABRIKANT AANVAARDT GEEN AANSPRAKELIJKHEID VOOR EVENTUELE DRUKFOUTEN.

## VERKLARING VAN DE FABRIKANT

DE FABRIKANT BEHOUDT HET RECHT OM TECHNISCHE OF ESTHETISCHE AANPASSINGEN TE MAKEN DIE DE KWALITEIT EN EFFICIËNTIE VAN DE MACHINE ZULLEN VERBETEREN ZONDER VOORGAANDE AARSCUWING EN ZONDER DAT DE HANDLEIDING BIJGEWERTKT MOET WORDEN. GEEN DEEL VAN DEZE HANDLEIDING MAG GEDUPLICEERD WORDEN.

# 1 HINWEISE

---

Es ist sehr wichtig, dass diese Bedienungsanleitung für ein späteres Nachschlagen in der Nähe der Maschine aufbewahrt wird. Wird die Maschine an einen anderen Benutzer verkauft oder an einen anderen Ort gebracht, sicherstellen, dass die Bedienungsanleitung stets bei der Maschine bleibt und es dem neuen Besitzer möglich ist, sich über ihre Funktionsweise und die entsprechenden Hinweise zu informieren. Diese Hinweise werden aus Sicherheitsgründen aufgeführt. Sie sind vor der Installation und Inbetriebnahme der Maschine aufmerksam zu lesen.

- Sich nach dem Auspacken von der Unversehrtheit der Maschine überzeugen. Sollte Ihre neue Maschine beschädigt sein, wenden Sie sich bitte vor der Erstinbetriebnahme an Ihren Händler. Die Verpackungselemente dürfen nicht in die Hände von Kindern gelangen, da sie eine potentielle Gefahrenquelle darstellen.
- Die Anpassung der Elektro- und Hydraulikanlagen für die Installation der Maschine ist von dazu befähigten Fachleuten durchzuführen.
- Diese Maschine darf nur von erwachsenen Personen in Betrieb gesetzt werden, die in ihre Benutzung eingewiesen wurden.
- Darauf achten, dass die Maschine nicht auf Speisekabeln und Ablauf- und Zulaufschläuchen steht. Anderenfalls die Stellfüßchen regulieren und sich davon überzeugen, dass die Maschine gerade steht.
- Die Maschine wurde für die Reinigung von Geschirr, Gläsern, Tassen, Besteck und Tabletten entwickelt. Jede andere Verwendung, wie zum Beispiel die Reinigung von Gegenständen, die mit Benzin, Farbe, Stahl- oder Eisenresten, korrosiven, säurehaltigen oder alkalischen chemischen Produkten oder Lösungsmitteln verunreinigt sind oder von Gegenständen, die größer sind als der Nutzdurchgang der Maschine, ist als unsachgemäß und somit als gefährlich zu betrachte
- Der Schutzgrad der Maschine ist IPX2 und daher darf sie nicht mit einem Hochdruckwasserstrahl gereinigt werden.
- Die Maschine wurde gemäß der in Italien und im Ausland geltenden technischen Bestimmungen in Übereinstimmung mit den EWG-Richtlinien und geltenden Gesetzen konstruiert.
- Nach der Benutzung die Maschine über den Hauptwandschalter vom Stromnetz trennen.
- Die Maschine keinen Witterungseinflüssen aussetzen oder in Räumen mit einer Temperatur unter 0°C aufstellen.
- Die Maschine niemals alleine reparieren. Von unerfahrenen Personen durchgeführte Reparaturarbeiten können Schäden verursachen oder Störungen weiter verschlimmern.
- Die Wartungsarbeiten an der Maschine sind von autorisiertem Fachpersonal auszuführen.
- Der Schalldruck der leeren Maschine gemessen in 1 m Entfernung und in 1,6 m Höhe entspricht 70 dB(A) und 75 dB(A) für die Maschine mit Trocknungseinheit.
- Die Sicherheitsvorrichtungen nicht verändern und nur dann entfernen, wenn die Maschine steht und die Stromzufuhr unterbrochen ist.



## 2 TRANSPORTATION UND HANDHABUNG DER MASCHINE

---

### 2.1 TRANSPORT UND VERPACKUNG

Der Transport der Maschinen kann mit einem LKW oder mit einem Container erfolgen.

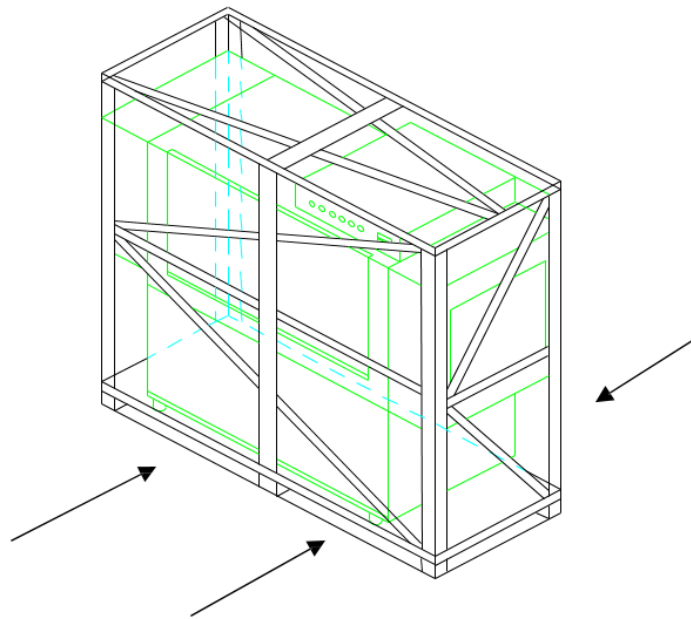
Für beide Fälle ist dieselbe Verpackungsart, nämlich Palette mit Holzkäfig vorgesehen.

Die Maschinen werden vor der Verpackung zum Schutz mit Polyethylen mit niedriger Dichte umwickelt.

### 2.2 HANDHABUNG

Die Handhabung der Maschine ist ausschließlich wie in der folgenden Abbildung dargestellt durchzuführen.

Dabei sind die Eingangspunkt der Staplergabeln zu beachten. Ein Anheben über Seile ist nicht vorgesehen.



### 2.3 LAGERUNG

Die Methoden für eine Lagerung der Maschinen und die für ihre Handhabung eingesetzten Vorrichtungen müssen derart sein, dass Beschädigungen durch Vibrationen, Stöße, Verkratzen, Korrosion etc. vermieden werden. Die gelagerten Maschinen sind zur Überprüfung ihres Erhaltungszustandes regelmäßig zu kontrollieren.

### 2.4 ABMESSUNGEN

Die Korbtransportmaschinen werden in verschiedenen Modellen hergestellt, für die die Abmessungen und entsprechenden Gewichte einzeln aufgeführt werden. In der folgenden Tabelle sind die Abmessungen der Holzkäfige der verschiedenen Modelle in der Standardausführung angegeben.






## 3 INSTALLIERUNG DER MASCHINE (für den Installateur)

---

### 3.1 ELEKTROANSCHLUSS

Der Elektroanschluß muß gemäß der geltenden Normen durchgeführt werden. Alle Maschinen mit Korbdurchschub werden für eine Einspeisung von 400 V3N~ 50Hz geliefert.

- A. Vergewissern Sie sich vor dem Anschluss davon, daß die Netzspannung und -frequenz mit der auf dem an der Maschine angebrachten Typenschild übereinstimmt und davon, dass das Gerät an eine funktionstüchtige Erdungsanlage angeschlossen ist.
- B. Die Maschine besitzt unten auf der Rückwand eine mit dem Symbol  gekennzeichnete Klemme, die dem Äquipotentialanschluss zwischen verschiedenen Geräten dient.
- C. Die Maschine ist durch einen vorgeschalteten allpoligen Thermomagnetschalter mit einer angemessenen Unterbrechungsleistung oder durch einen Lasttrennschalter und eine Sicherung vom Typ gL von angemessener Leistung, die nicht mehr als 3 Meter von der Schalttafel entfernt anzubringen sind, gegen Überlastungen und Kurzschlüsse zu schützen. Gegen indirekte Kontakte ist direkt hinter dem Thermomagnetschalter oder der Kombination Trennschalter/Sicherung ein Differenzialschalter mit einem Auslösestrom anzubringen, der auf den Wert des Widerstandes der Erdungsanlage des Benutzers abgestimmt ist. Die Schalter, die nicht mit der Maschine geliefert werden, sind in einer gut zugänglichen Position in einer Höhe zwischen 0,6 und 1,70 m an der Wand zu installieren.
- D. Der Querschnitt des Speisekabels, das nicht mit der Maschine geliefert wird, darf nicht unter dem liegen, der vom der Maschine beiliegenden elektrischen Schaltplan vorgeschrieben wird. Wird es nicht von einem Schlauch geschützt, so ist ein Kabel mit Merkmalen zu verwenden, die nicht unter denen des Typs H07RN-F liegen. Zur Vermeidung gefährlicher Überhitzungen muss das Speisekabel über seine gesamte Länge (max. 3 m) entrollt werden.
- E. Für den Anschluss des Speisekabels an die Maschine die Befestigungsschrauben der Abdeckung des Bedienfeldes lösen und das Kabel durch die Kabelklemme einführen. Dann an die Klemmen L1/L2/L3 und den Erdungsleiter an die gelb-grüne Klemme anschließen. Dann die Kabelklemme anziehen.

### 3.2 ANSCHLUSS AN DAS WASSER- UND ABWASSERNETZ

- A. Für einen optimalen Betrieb der Maschine sollte man sich schon vorher durch Analysen davon überzeugen, dass die Wasserhärte des Wassernetzes zwischen 5 und 10°F (französische Grad) liegt. Sollte das Gegenteil der Fall sein, empfiehlt sich der Einbau eines geeigneten Entkalkers.
- B. Sich davon überzeugen, dass der Wasserdruck im Netz nicht unter 0,2 MPa (2 Bar) und nicht über 0,4 MPa (4 Bar) liegt.
- C. Die Maschinen sind mit einem Filter und mit einem Druckregler ausgerüstet. Der empfohlene dynamische Druck (während der nachspulung) liegt je nach Modell zwischen 0,1 und 0,13 MPa (1÷1.3 Bar) den druck mit dem druckregler A, notfall, einstellen.
- D. Die Maschine (einschließlich der Maschinen mit Vorspülgang) mit warmem Wasser bei einer Temperatur von ca. 50°C speisen, indem der Zulaufschlauch an den Speiseanschluss mit Gewinde (Durchm. 3/4 " G) angeschlossen wird, der sich unter der Maschine befindet.
- E. Ist die Maschine mit Absaugvorrichtung und Dampfkondensierung ausgerüstet, wird sie mit kaltem Wasser (Temperatur 10÷15 °C) gespeist, indem der Zulaufschlauch an den Speiseanschluss mit Gewinde (Durchm. 3/4 " G) angeschlossen wird, der sich unter der Maschine befindet.
- F. Die Maschinen mit Korbdurchschub benötigen effiziente Abläufe, da sie sich im Dauerbetrieb befinden. Für die Position der Abläufe und fuz was in den punkten c-d-e dieses abschnittes geschrieben das separat gelieferte technische Datenblatt konsultieren.

## 4 INBETRIEBNAHME

---

### 4.1 KONTROLLEN VOR DEM SPÜLEN

Sich davon überzeugen, dass:

- A. der Warnschalter eingeschaltet ist.
- B. kein Wassermangel im Netz besteht.
- C. die Schieberhähne für das Speisewasser geöffnet sind.
- D. alle Filter richtig positioniert sind;
- E. die Überläufe in ihre Halterungen eingesetzt sind.
- F. die Lappen richtig positioniert sind.
- G. die Kontrolltüren geschlossen sind.
- H. die eventuellen Spülmittelbehälter gefüllt sind.
- I. die in der Maschine befindlichen Thermostate für Wanne und Boiler richtig eingestellt sind (80÷85°C für den Boiler und 55÷60°C für die Wanne).

### 4.2 BEFÜLLUNG BOILER UND WANNEN

WICHTIG: Bei der Installation der Maschine ist die Phase der "Erstbefüllung"

durchzuführen, wenn alle Kontrolltüren geschlossen sind, um die völlige Befüllung des Boilers zu garantieren. Dies darum, weil die Widerstände von Wanne und Boiler ausschließlich vom Druckwächter gesteuert wird, der den Wasserstand in der Wanne kontrolliert. Wird dieses Verfahren nicht eingehalten, besteht die Gefahr, dass der Widerstand des Boilers "trocken" arbeitet und die gesamte Boilereinheit beschädigt wird.

- A. Über Wählschalter A Spannung auf die Maschine geben.
- B. Das Aufleuchten der blauen Lampe D abwarten, die die Bereitschaft der Maschine anzeigt. Besagte Lampe leuchtet nur dann auf, wenn die Maschine mit Wasser gefüllt ist und die Temperaturen erreicht sind.
- C. Kontrollieren, dass der Wasserstand in der Spülwanne nach dem Befüllen 0,5÷1cm unter dem Überlaufwasserstand liegt. Das Fassungsvermögen der Wanne beträgt ca. 100 liter.

### 4.3 KONTROLLEN

- A. Überprüfen, dass die Sicherheitskupplung des Zugsystems richtig eingestellt ist (die Körbe müssen nur mit den Händen angehalten werden können). Eine komplette Serie von mit Tellern beladenen Körben darf nicht zu Verschiebungen führen.
- B. Das korrekte Funktionieren der Sparvorrichtungen überprüfen, die die Wasserzufuhr unterbrechen müssen, wenn der Korb herausfährt.
- C. Ist ein Spülmitteldosierer installiert, dessen korrekten Betrieb überprüfen.
- D. Den korrekten Betrieb des Endschalters überprüfen, der den Vorschub unterbrechen muss, wenn der Korb am Ende der Ablage ankommt.

## 5 GESCHIRRSPÜLEN

---

### 5.1 START UND/ODER NEUSTART

Um den Betriebszyklus starten zu können, muss die Maschine für den Arbeitsbeginn "BEREIT" sein. Der Maschinenstatus "Bereit" ist erreicht, wenn alle Alarmleuchten B- E-F-L-M (rot) ausgeschaltet sind und die Kontrollampe D (blau) aufleuchtet. Wenn die Schalttafel diese Bedingungen anzeigt, kann über die Taste C „START“ der Vorschubmechanismus der Körbe und somit der Automatikbetrieb eingeschaltet werden. Die Schalttafeln aller Maschinen sind mit einer Diagnostikabteilung bestehend aus Nr. 4. Die Maschine ist nach den in Kap. 4 beschriebenen Arbeitsgängen betriebsbereit. Ist die Maschine nicht mit einem automatischen Dosierer ausgerüstet, muss das Spülmittel von Hand in die Spülwanne eingefüllt werden.

Bevor mit dem Spülen begonnen wird,:

- A. müssen feste Reste und eventuelle Ölsammlungen vom Geschirr entfernt werden.
- B. muss das Geschirr vorher eingeweicht werden, wenn zwischen Benutzung und Spülen ein längerer Zeitraum liegt.
- C. muss das Geschirr in die dafür vorgesehenen Körbe eingeräumt werden. Sichergehen, dass die Teller zum Maschinenausgang ausgerichtet und die Schüsseln parallel zur Vorschubrichtung positioniert sind.
- D. muss die Drucktaste C = START für die Inangsetzung des Durchschubsystems gedrückt werden.
- E. Für den Fall, dass der Bediener nicht in der Lage ist, die herauskommenden Körbe zu entfernen, ist die Maschine an einen Endanschlag angeschlossen, der den Vorschub unterbricht. Für die Wiederaufnahme der Arbeit reicht es aus, den Korb vom Endanschlag zu nehmen und die Drucktaste C = START zu drücken.

### 5.2 ARBEITEN WÄHREND DES SPÜLENS

- A. Es ist ratsam, die Hände nicht ungeschützt in mit Spülmittel versetztes Wasser zu halten, da Verbrennungen oder Hautreizungen verursacht werden könnten. Sollte dies der Fall sein, die Hände sofort gründlich abspülen.
- B. Während des Betriebs der Maschine die Türen nicht zu schnell öffnen.
- C. Nur spezielle schaumhemmende Spülmittel für Industriespülmaschinen in der vom Hersteller je nach Wasserhärte empfohlenen Dosierung verwenden.
- D. Die Maschine regelmäßig anhalten, um die Wannenfilter herauszunehmen und von Abfällen zu reinigen, die sich ablagern könnten.
- E. Die Saugfilter der Pumpe nicht bei voller Wanne herausnehmen.
- F. Bei einer von der Sicherheitsvorrichtung hervorgerufenen Vorschubunterbrechung ist die Maschine vor der Entfernung des Hindernisses, dass die Störung verursacht hat, durch die Betätigung des Notschalters I anzuhalten.
- G. Überprüfen, dass die Wassertemperatur innerhalb der vorgeschriebenen Werte bleibt (siehe 4.1)

### 5.3 ARBEITEN NACH DEM SPÜLEN

- A. Die Drucktaste B (STOP) drücken und den Wählschalter A in die Position "Null" bringen, um die Maschine auszuschalten.
- B. Den Wandschalter ausschalten und den Hahn für die Wasserversorgung zudrehen.
- C. Die Filter entfernen und reinigen.
- D. Die Überläufe herausnehmen und die Wannen ausleeren. Dann die Wannenböden mit einem Wasserstrahl reinigen.
- E. Den Ansaugfilter der Pumpe herausnehmen und mit einem Wasserstrahl reinigen.
- F. Die Spritzschutzlappen abnehmen und reinigen.
- G. Wenn nötig die Spülrohre (durch Drehung) und Klarspülrohre (durch Lösen der entsprechenden Befestigungsschrauben) herausnehmen und innen reinigen.
- H. Die Außenoberflächen der Maschine sind mit einem feuchten Schwamm zu reinigen, ohne dabei einen Wasserstrahl und Scheuerpartikel oder Chlor enthaltende Reinigungsmittel zu verwenden.
- I. Alle Bauteile wieder montieren. Dabei darauf achten, dass die kurze Seite der Spritzschutzlappen zum Geschirreingang zeigen.
- J. Zur Vermeidung von üblen Gerüchen wird empfohlen, die Türen geöffnet zu lassen.

## 5.4 REGELMÄSSIGKEIT DES BETRIEBS

Die Spülmaschinen mit Korbdurchschub arbeiten nur dann, wenn die Einsatzbedingungen und der Einsatzbereich ein optimales Endergebnis sichern können.

Diese Bedingungen sind:

- A. ausreichend Wasser in der Klarspülphase/-zone;
- B. garantierte Mindesttemperatur in der Klarspülphase/-zone;
- C. kontinuierlicher und regelmäßiger Vorschub der Behälterkörbe;
- D. korrekter Verschluss der Kontrolltüren.

Der Betrieb wird daher immer dann (mit Alarmanzeige auf der Schalttafel) unterbrochen, wenn die Einsatzparameter (Bedingungen und Bereich) nicht mehr gegeben sind. Die Diagnostikabteilung (auf der Schalttafel) zeigt den Grund für die Zyklusunterbrechung an. Für die Wiederaufnahme des Betriebszyklus müssen die Einsatzparameter wiederhergestellt werden.

Für die Bedingungen:

- a) siehe Paragraph 9 Punkt 2-A, 2-B, 6-B, 6-D
- b) siehe Paragraph 9 Punkt 6-D, den gesamten Punkt 7
- c) die Kontrolltüren öffnen und die Ursache für das Blockieren der Körbe (eingeklemmter Korb oder anderes) beseitigen
- d) den richtigen und vollständigen Verschluss der Türen überprüfen.

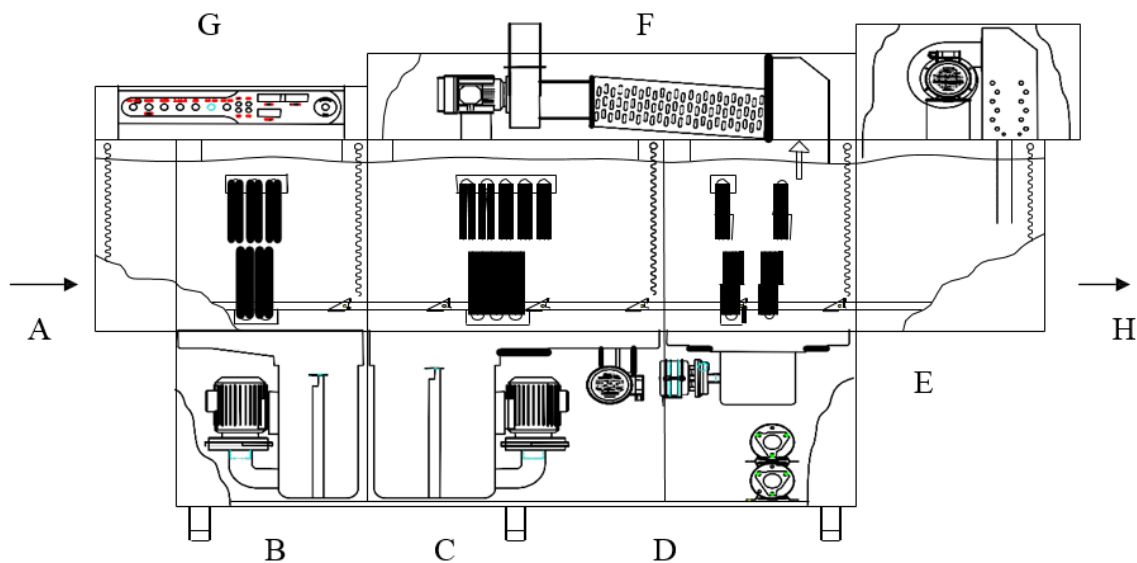
Die Wiederherstellung der Parameter a, b und der Bedingung d wird angezeigt, wenn die entsprechenden Diagnoseleuchten (rot) L-M-F und die Stopp-/Alarmleuchte B ausgehen und gleichzeitig die Kontrolllampe D (blau) zur Anzeige der Maschinenbereitschaft aufleuchtet.

Für die Wiederherstellung des Parameters c ist der automatische Betriebsstatus durch Betätigung der Taste B Stopp/Alarm auf „null“ zurückzusetzen. Die Kontrolllampe (rot) dieser Taste geht aus und gleichzeitig leuchtet die Kontrolllampe D (blau) zur Anzeige der Maschinenbereitschaft auf.

Danach den Betriebszyklus wieder wie im vorhergehenden Punkt 5.1 beschrieben einschalten.

## 6 BESCHREIBUNG DER MASCHINE

Die Maschinen sind gänzlich aus Edelstahl AISI 304 hergestellt und die Stärke der verwendeten Bleche garantieren eine lange Haltbarkeit. Alle Maschinen verfügen über eine Spül- sowie eine Klarspül-Abteilung, denen auf Wunsch eine Vorspüleinheit oder Trocknungs- sowie Dampfkondensierungseinheiten hinzugefügt werden kann. Die Körbe werden durch ein automatisches System durch die Abteilungen gezogen. Energieverlust und Geräusentwicklung werden dank der Anbringung von Isolierplatten auf Wannen, Türen und Rückseite auf ein Minimum reduziert. Die Spül- und Klarspülrohre bestehen gänzlich aus Edelstahl und verfügen über Bajonettanschlüsse, die ihre Abmontage für eine Innenreinigung erleichtern. Die Temperaturen der verschiedenen Abteilungen der Maschine werden durch Thermostate kontrolliert. Die Maschinen mit Trocknungsabteilung verfügen über eine Turbine, die außen aufgenommene Luft über eine Reihe von Widerständen laufen lässt und auf das Geschirr leitet. Die Kondensation wird erreicht, indem die Dämpfe über die Batterie des Rückgewinners angesaugt werden, in der kaltes Wasser zirkuliert.



- A = KORBEINGANG
- B = VORSPÜLEN
- C = SPÜLEN
- D = KLARSPÜLEN
- E = TROCKNEN
- F = DAMPFKONDENSATION
- G = BEDIENFELD
- H = KORBAUSGANG

## 7 SICHERHEIT

---

Die Maschinen sind mit Vorrichtungen ausgerüstet, um die richtig und mit Sicherheit zu benutzen, im einzelnen:

- A. Die Kontrolltüren der Maschine sind mit magnetischen Mikroschaltern ausgestattet, die nach dem Öffnen den Betriebszyklus der Maschine unterbrechen. Die Türen haben darüber hinaus eine Stoppsicherung, die das völlige Absenken blockiert.
- B. Die Boiler und die Wannen sind mit Sicherheitsthermostaten ausgerüstet.
- C. Die Heizelemente werden durch Sicherungen geschützt.
- D. Die Maschinen sind gegen ein vorzeitiges Ingangsetzen geschützt (Blaue Kontrollleuchte für die Anzeige "Maschine bereit" auf dem Bedienfeld).
- E. Die Spülpumpe und die Motoren sind mit einem magnetothermischen Motorschutzschalter ausgerüstet.
- F. Die Maschinen sind für einen Anschluss an einen Mikroendschalter der Korbaustrittsablagen vorgerüstet. Außerdem wird darauf hingewiesen, dass:
- G. es verboten ist, die Schalttafel zu öffnen.
- H. es bei Betrieb des Vorschubsystems sehr gefährlich ist, in den Ein- und Ausgang der Maschine einzugreifen.
- I. es verboten ist, die Maschine ohne die Überwachung eines Bedieners zu betreiben.

**WICHTIG:** Sollte der Austausch des Boilers oder der Widerstände nötig sein, so muss zwangsläufig das Verfahren der in Kap. 4.2. beschriebenen "Erstbefüllung" wiederholt werden, um zu verhindern, dass die Widerstände "trocken" arbeiten und Gefahr laufen, den Boiler zu beschädigen.

Die Schalttafeln aller Maschinen sind mit einer Diagnostikabteilung bestehend aus Nr. 4 Alarmleuchten (rot) für die Anzeige von ausgerüstet:

Wassermangel	Leuchte	L
Kontrolltüren offen	Leuchte	F
Vorschub unterbrochen	Leuchte	E
niedrige Boilertemperatur	Leuchte	M

Darüber hinaus sind sie mit einem Notschalter I (große rote Drucktaste) für die Notabschaltung der Maschine ausgestattet.

NB: Bei Mod. AR1650 wird die Zugunterbrechung nicht von der Diagnostikabteilung angezeigt, (Leuchte E) da der Getriebemotor mit einem mechanischen Drehmomentbegrenzer (Ölbad- Scheibenkupplung) ausgerüstet ist. In diesem Fall läuft die Maschine weiter ohne die Körbe vorzuschieben. Die Maschine daher vor dem Öffnen für die Beseitigung der Ursache für die Blockierung über die Drucktaste B (STOP/ALARME) ausschalten.

## 8 WARTUNG

---

Die regelmäßige und ständige Wartung der Maschine ist extrem wichtig, um große Störungen zu vermeiden, die einen längeren Stillstand der Maschine erforderlich machen können. Alle Arbeiten sind unter Einhaltung der anzuwendenden Sicherheitsvorschriften durchzuführen und daher ist vor Beginn der Arbeiten der Wandschalter in die Position "O" zu drehen. In jedem Falle ist die Maschine sauber und aufgeräumt zu halten und eventuelle provisorische oder behelfsmäßige Reparaturen sind zu vermeiden.

### 8.1 WARTUNGSARBEITEN, DIE ALLE DREI WOCHEN DURCHZUFÜHREN SIND

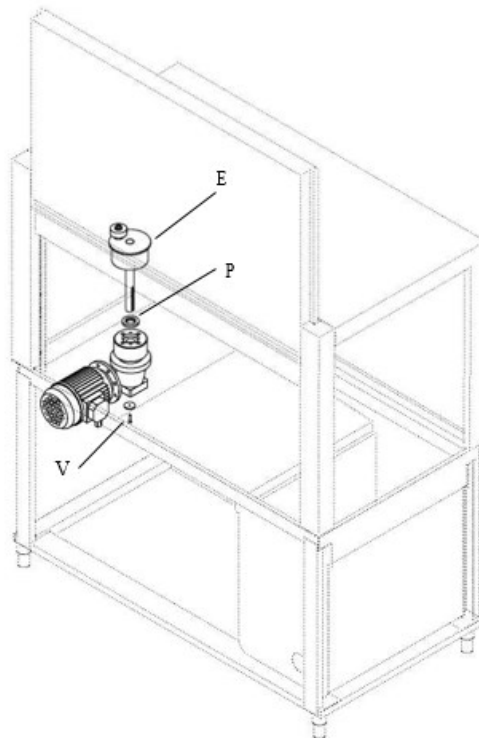
- A. Für eine Innenreinigung die Spülrohre (durch Drehen) und die Klarspülrohre (die entsprechende Schraube lösen) entfernen.
- B. Die Spritzschutzlappen entfernen und reinigen.
- C. Bei Maschinen mit Dampfkondensator die Schutzvorrichtung der Absaugtunnel reinigen.

### 8.2 WARTUNGSARBEITEN, DIE ALLE ZWEI MONATE DURCHZUFÜHREN SIND

- A. Überprüfen, dass die Sicherheitsvorrichtungen effizient und funktionstüchtig sind.
- B. Kontrollieren, dass die Sicherheitskupplung richtig eingestellt ist.
- C. Bei Maschinen mit Dampfkondensator eventuell vorhandene Verschmutzungen entfernen.
- D. Sollten sich in der Maschine starke Kalkablagerungen gebildet, haben diese mit einem geeigneten Entkruster entfernen und dabei die Vorschriften des Herstellers einhalten. Nach Ende der Arbeiten die Maschine klar nachspülen.

### 8.3 WARTUNGSARBEITEN DIE ALLE 2000 BETRIEBSSTUNDEN ODER MINDESTENS EINMAL JÄHRLICH DURCHGEFÜHRT WERDEN MÜSSEN

Die Dichtung P (Art. 5711) prüfen und gegebenenfalls erneuern. Dabei wie folgt vorgehen: Schraube V herausschrauben, das Winkelgetriebe herausnehmen und dabei auf den Federkeil zwischen Welle und Nabe achten, damit dieser nicht verloren geht. Den Spalt zwischen Dichtlippe und Staublippe mit einem lebensmittelechten Fett (Typ LOCTITE 8105) fetten. Dieses Fett muss die Eigenschaften FDA 21 CFR 178.3579 für USDA H1 und/oder CNERNA für Frankreich auf jeden Fall erfüllen.





## 9 WICHTIGE TIPPS BEI STORUNGEN

STÖRUNGEN	MÖGLICHE URSACHEN UND ABHILFE
1 Die Lampen der Schalter der Schalttafel leuchten nicht auf	A) Kontrollieren, dass der Wandschalter eingeschaltet ist und die Sicherungen nicht durchgebrannt sind. B) Überprüfen, dass die Lampen nicht durchgebrannt sind.
2 Die Wannen füllen sich nicht mit Wasser	A) Überprüfen, dass Wasser im Speisernetz und der Sperrschieber geöffnet ist. B) Überprüfen, dass der Filter des Wassereinlasskanals nicht verstopft ist. C) Die Druckwächter auf ihre richtige Eichung und Funktionstüchtigkeit überprüfen. D) Die korrekte Funktionsweise des Zulauf-Elektroventils kontrollieren. E) Das Vorhandensein und die korrekte Positionierung der Überlaufrohre in ihrem Sitz überprüfen.
3 Bei Erreichen des Wasserstandes wird die Wasserzufuhr nicht unterbrochen	A) Die Druckwächter auf ihre richtige Eichung und Funktionstüchtigkeit überprüfen. B) Die korrekte Funktionsweise des Zulauf-Elektroventils kontrollieren. C) Überprüfen, dass sich der Luftkäfig in vertikaler Position befindet und das Verbindungsschlauch nicht herausgezogen ist.
4 Spülergebnis unzureichend	A) Sich davon überzeugen, dass das richtige Spülmittel in der richtigen Dosierung (Empfehlung des Herstellers) verwendet wird. B) Überprüfen, dass die Düsen der Spülrohre nicht durch Verunreinigungen verstopft werden. C) Überprüfen, dass die Temperatur des Wassers in der Wanne 60°C beträgt. D) Überprüfen, dass die Pumpe korrekt funktioniert (Drehrichtung). E) Überprüfen, dass der Filter der Pumpe nicht durch Verunreinigungen verstopft wird. F) Überprüfen, ob der Wärmeschutz des Motorschutzschalters nicht angesprochen hat. In diesem Falle wieder bereitmachen.
5 In den Wannen wird nicht die richtige Temperatur erreicht	A) Überprüfen, dass die Thermostate nicht falsch geeicht, defekt oder falsch eingestellt sind. B) Kontrollieren, dass die Sicherungen und die Spulen der Fernschalter der Tankheizungen nicht unterbrochen sind. C) Die Wannensicherungen auf ihre Funktionstüchtigkeit überprüfen und kontrollieren, dass sie nicht von Kalkablagerungen überzogen sind. D) Kontrollieren, dass die Thermometer nicht defekt oder falsch geeicht sind.
6 Klarspülergebnis unzureichend	A) Kontrollieren, dass die Düsen nicht von Kalkablagerungen verstopft werden. B) Das Magnetventil auf seine Funktionstüchtigkeit überprüfen. C) Überprüfen, dass der Filter des Wassereinlasskanals nicht verstopft ist. D) Überprüfen, dass der Boiler nicht von Kalkablagerungen überzogen ist.
7 Klarspültemperatur unzureichend	A) Überprüfen, dass die Eingangstemperatur des Wassers der vorgeschriebenen Temperatur entspricht. B) Überprüfen, dass der Thermostat nicht falsch geeicht, defekt oder falsch eingestellt ist. C) Kontrollieren, ob der Sicherheitsthermostat angesprochen hat und die entsprechenden Ursachen überprüfen. D) Kontrollieren, dass das Thermometer nicht falsch geeicht oder defekt ist. E) Kontrollieren, dass der dynamische Druck am Druckminderer nicht über dem vorgeschriebenen Druck liegt. F) Kontrollieren, dass die Spule des Fernschalters für die Boilersicherung nicht unterbrochen ist. G) Die korrekte Funktionsweise der Heizungen überprüfen und sicherstellen, dass sie nicht von Kalkablagerungen überzogen sind.

<p>8 Während des Betriebs wird der Zyklus ohne Diagnostikanzeige unterbrochen</p>	<p>A) Überprüfen, ob der Wärmeschutz des Motorschutzschalters angesprochen hat. In diesem Falle wieder bereitmachen.  B) Überprüfen, dass die Leuchten der Diagnostikabteilung nicht durchgebrannt sind.</p>
<p>9 Die Maschine spült und/oder nachspült durchgehend, ohne dass Körbe eingeschoben sind.</p>	<p>A) Den korrekten Betrieb der Vorwärmeinheit überprüfen.  B) Überprüfen, dass der Ballastbehälter mit der Magneteinheit der Vorwärmeinheit in der richtigen Entfernung angezogen und festgestellt ist.  C) Das korrekte Funktionieren des kontaktlosen Mikroschalters des Vorwärmesystems überprüfen.</p>
<p>10 Die Maschine stoppt oder schaltet sich nicht ein; der Vorschubstopp der Körbe wird angezeigt.</p>	<p>A) Die Bedingung C unter Punkt 5.4 wiederherstellen.  B) Erreicht die Maschine den „BEREIT“-Status nicht, liegt ein Defekt am Kontrollumrichter des Antriebsmotors der Korbvorschubeinheit vor.</p>

## 10 GARANTIEBEDINGUNGEN

---

-DAS GERÄT VERFÜGT AB DEM KAUFdatum ÜBER EINE GARANTIE VON EIN JAHR, DIE DURCH EIN STEUERLICH GÜLTIGES UND VON DEM ZUGELASSENEN HÄNDLER AUSGESTELLTEN DOKUMENT NACHGEWIESEN WERDEN MUSS. DARAUF BEFINDET SICH DER NAME DES HÄNDLERS UND DAS KAUFdatum.

-DAMIT DIE GARANTIE IHRE GÜLTIGKEIT BEHÄLT, MUSS DER VOM HÄNDLER AUSGESTELLTE STEUERBELEG ZUSAMMEN MIT DER VORLIEGENDEN BETRIEBSANLEITUNG AUFBEWAHRT WERDEN.

-UNTER GARANTIE VERSTEHT MAN DAS KOSTENLOSE ERSETZEN ODER DIE REPARATUR DER GERÄTEKOMponentEN, DIE VON ANFANG AN HERSTELLUNGSFEHLER AUFWEISEN.

-WIRD FÜR GERÄT EINE HAUSREPARATUR GEWÜNSCHT, MUSS DER GERÄTEBESITZER FÜR DIE ZUM ZEITPUNKT DER REPARATUR GÜLTIGEN FÜR DIE "ANFAHRTSZEITEN" AUFKOMMEN.

-BEI ALLEN TEILEN, DEREN BESCHÄDIGUNG AUF EINEN FAHRLÄSSIGEN ODER SORGLOSEN UMGANG (NICHTBEACHTUNG DER BETRIEBSANLEITUNG ZUR GERÄTEFUNKTION), EINE FEHLEHARTE INSTALLATION ODER WARTUNG VON HIERZU NICHT BEFÄHIGTEM PERSONAL, TRANSPORTSCHÄDEN ODER UMSTÄNDE, DIE GRUNDSÄTZLICH NICHT AUF EINEN HERSTELLUNGSFEHLER ZURÜCKGEFÜHRT WERDEN KÖNNEN, BERUHEN, ENTFÄLLT DIE GARANTIELEITUNG.

-VON DER GARANTIE AUSGENOMMEN SIND ALLE FÄLLE, WO DER UMGANG MIT DEM PRODUKT ENTWEDER NICHT ORDNUNGSGEMÄß ERFOLGTE ODER REPARATUREN, WARTUNGEN ODER VERÄNDERUNGEN VON EINER HIERZU NICHT BERECHTIGTEN PERSON DURCHGEFÜHRT WURDEN, BZW. DAS GERÄT REPARIERT WURDE UND DABEI ORIGINAL-ERSATZTEILE ENTFERNT WORDEN SIND.

-EBENFALLS VON DER GARANTIE AUSGENOMMEN SIND EINGRIFFE, WELCHE DIE INSTALLATION UND DEN ANSCHLUSS AN DIE VERSORGUNGSANLAGEN SOWIE DIE IN DER VORLIEGENDEN BETRIEBSANLEITUNG AUFGEFÜHRTEN WARTUNGSTÄTIGKEITEN BETREFFEN.

-DIE GARANTIE ERLÖSCHT AUßERDEM IN ALLEN FÄLLEN VON UNSACHGEMÄßEM GARÄTEGEBRAUCH.

-DIE HERSTELLERFIRMA LEHNT JEDE VERANTWORTUNG FÜR SCHÄDEN AB, DIE PERSONEN, GEGENSTÄNDE ODER HAUSTIERE AUFGRUND EINER MANGELHAFTEN BERÜCKSICHTIGUNG ALLER IN DIESER BETRIEBLEITUNG ENTHALTENEN ANWEISUNGEN ERLEIDEN. DIES BEZIEHT SICH INSBESONDERE AUF ALLE DIE INSTALLATION, DEN GEBRAUCH UND DIE WARTUNG DES GERÄTS BETREFFENDEN ANLEITUNGEN.

-SOLLTE DAS GERÄT BEI EINEM VON HERSTELLER ANGEgebenEN KUNDENDIENST-SERVICE REPARIERT WERDEN, ÜBERNIMMT DER GERÄTEBETREIBER DIE HIERMIT VERBUNDENEN TRANSPORTRISIKEN UND-KOSTEN.

-DIE IM RAHMEN DIESER GARANTIE ERSETZTEN ODER REPARIERTEN TEILE SIND KEINE VERLÄNGERUNG DER ORIGINAL-PRODUKTGARANTIE.

-DER HERSTELLER TRÄGT KEINE VERANTWORTUNG FÜR EVENTUELLE DRUCKFEHLER.

### ANMERKUNG DES HERSTELLERS

DIE FIRMA BEHÄLT SICH DAS RECHT VOR, EVENTUELLE DIE GERÄTEQUALITÄT UND- FUNKTIONSTÜCHTIGKEIT BETREFFENDEN TECHNISCHEN ODER ÄSTHETISCHEN VERÄNDERUNGEN OHNE VORANKÜNDIGUNG UND DIE VERPFLICHTUNG EINER NEUBEARBEITUNG DER VORLIEGENDEN VERÖFFENTLICHUNG, VORZUNEHMEN. AUCH EINE PARTIELLE REPRODUKTION DER VORLIEGENDEN BETRIEBSANLEITUNG IST VERBOTEN.

# 1 AVERTISSEMENTS

---

Il est très important que ce mode d'emploi soit conservé avec la machine pour toutes consultations futures. Au cas où la machine serait vendue ou transférée à un autre utilisateur, s'assurer que le mode d'emploi l'accompagne afin de permettre au nouveau propriétaire de s'informer sur son fonctionnement et sur les avertissements spécifiés. Ces avertissements sont fournis pour des raisons de sécurité. Les lire attentivement avant l'installation et l'utilisation de la machine.

- Après avoir enlevé l'emballage, vérifier que la machine soit intacte. Si votre nouvelle machine est endommagée, s'adresser au revendeur avant de la faire fonctionner. Les éléments de l'emballage ne doivent pas être laissés à la portée des enfants étant donné qu'ils pourraient représenter un danger pour eux.
- L'adaptation aux installations électriques et hydrauliques pour la mise en service de la machine doit être effectuée par des techniciens qualifiés.
- Seuls des adultes ayant reçu une formation spécifique peuvent faire fonctionner cette machine.
- Veiller à ce que la machine ne soit pas posée sur le câble d'alimentation ou sur les tubes de chargement et de vidange; régler éventuellement les petits pieds d'appui de la machine et garantir une mise à niveau parfaite.
- La machine a été conçue pour laver les assiettes, les verres, les tasses, les couverts et les plateaux. Tout autre usage, tel que le lavage d'objets sales d'essence, de peinture, de restes d'acier ou de fer, de produits chimiques corrosifs acides ou alcalins, de solvants ou d'objets ayant des dimensions supérieures au passage utile de la machine doit être considéré comme étant impropre et donc dangereux.
- Le degré de protection de la machine est IPX2 et, par conséquent, elle ne doit pas être lavée avec des jets d'eau à haute pression.
- La machine est construite suivant les normes de bonne règle technique en vigueur en Italie et à l'étranger conformément aux Directives CEE et aux lois en vigueur.
- Après l'utilisation, débrancher la machine du réseau électrique d'alimentation en appuyant sur l'interrupteur général mural.
- Ne pas exposer la machine aux agents atmosphériques ou à une température inférieure à 0°C.
- Ne jamais essayer de réparer la machine sans assistance technique. Toute réparation effectuée par des personnes inexpertes peut causer des dommages ou aggraver les dysfonctionnements.
- Seul le personnel autorisé peut fournir un service d'assistance.
- La machine hors usage doit être rendue inutilisable : débrancher et couper les connexions électriques et hydrauliques.
- Le niveau équivalent de la pression sonore de la machine à vide, mesuré à 1 m de celle-ci et à 1,6 m de hauteur, est de 70 dB(A) et de 75 dB(A) pour les machines équipées de la fonction de séchage.
- Ne pas modifier les protections et les enlever uniquement si la machine est arrêtée et si l'alimentation électrique est exclue.
- Lorsque l'on souhaite éliminer ce produit, il est recommandé de ne pas le jeter avec les déchets domestiques. Il existe un système de tri sélectif conformément aux lois qui exigent des traitements spécifiques, récupération et recyclage.
- Les citoyens des pays membres de l'UE, de Suisse et Norvège, pourront confier l'appareil arrivé à la fin de sa vie aux centres appropriés de tri sélectif des déchets électroniques et électrotechniques, ou bien le remettre au revendeur au moment de l'achat d'un nouvel appareil de type correspondant, en raison d'un à un.
- Pour les pays non mentionnés ci-dessus, nous vous prions de bien vouloir prendre contact avec les autorités locales pour connaître la méthode correcte d'élimination.
- Le tri sélectif approprié des appareils inutilisés, pour les destiner au traitement successif de recyclage, contribue à éviter tous effets négatifs sur l'environnement et sur la santé, et favorise le recyclage des matériaux dont se compose l'équipement.
- L'élimination non autorisée du produit de la part de l'utilisateur, peut entraîner l'application des sanctions administratives prescrites par les lois applicables.



## 2 TRANSPORT ET MANUTENTION DE LA MACHINE

---

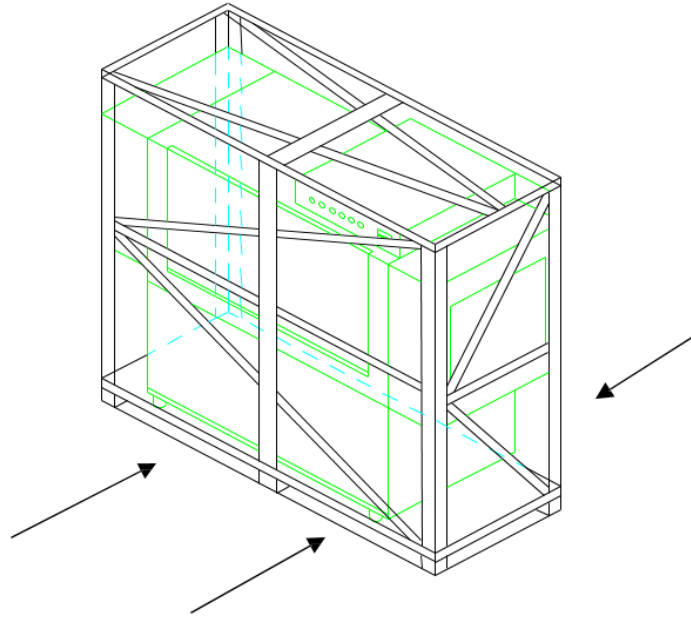
### 2.1 TRANSPORT ET EMBALLAGE

Le transport des machines peut être effectué en camion ou dans un conteneur.

Dans les deux cas le même type d'emballage est prévu, c'est-à-dire palette avec cage en bois. Les machines, avant d'être emballées, sont enveloppées dans du polyéthylène à basse densité afin de les protéger.

### 2.2 MANUTENTION

La manutention des machines doit être effectuée uniquement comme illustré à la figure ci-dessous, en respectant les points d'entrée des étriers du chariot. Aucun levage à l'aide de cordes n'est prévu.



### 2.3 STOCKAGE

Les méthodes de stockage des machines et les dispositifs utilisés pour leur manutention doivent être aptes à empêcher tout dommage pouvant être dû à vibrations, chocs, corrosions, etc. Les machines stockées doivent être contrôlées périodiquement afin d'en vérifier le bon état de conservation.

### 2.4 DIMENSIONS

Les machines à panier entraîné sont construites dans différents modèles pour lesquels les dimensions et les poids correspondants sont fournis à part. Le tableau ci-dessous indique les dimensions des cages en bois des différents modèles dans la version standard.




## 3 INSTALLATION DE LA MACHINE (instructions pour l'installateur)

---

### 3.1 CONNEXION ÉLECTRIQUE

La connexion électrique doit être exécutée conformément aux normes en vigueur. Toutes les machines à panier entraîné sont prédisposées pour une alimentation 400 V3N~ 50Hz.

- A. Avant de brancher la machine, vérifier que le voltage et la fréquence du réseau électrique correspondent bien à ceux indiqués sur la plaque signalétique et que la machine soit connectée à une installation de mise à la terre efficace.
- B. Le côté arrière de la machine comprend une borne portant le symbole  qui est utilisée pour la connexion équipotentielle entre les différents appareils.
- C. La machine doit être protégée en amont contre les surcharges et les courts-circuits par un interrupteur omnipolaire de type magnétothermique ayant un pouvoir d'interruption approprié ou par un sectionneur sous charge et des fusibles de type gL, d'une capacité conductrice appropriée, placés à une distance ne dépassant pas 3 m du tableau électrique. Pour éviter les contacts indirects, un interrupteur différentiel ayant un courant d'intervention coordonné à la valeur de la résistance de l'installation de terre de l'utilisateur, doit être installé immédiatement en aval de l'interrupteur magnétothermique ou du sectionneur/fusibles. Les interrupteurs qui ne sont pas fournis avec la machine doivent être installés au mur dans une position accessible à une hauteur comprise entre 0,6 m et 1,70 m.
- D. La section du câble d'alimentation, qui n'est pas livré avec la machine, ne devra pas être inférieure aux indications du schéma électrique fourni avec la machine. S'il n'est pas protégé par un tube, utiliser un câble ayant des caractéristiques non inférieures au type H07RN-F. Pour éviter tout risque de surchauffe dangereuse, le câble d'alimentation doit être déroulé sur toute sa longueur (max. 3 m).
- E. Pour brancher le câble d'alimentation à la machine, ôter les vis de fixation du couvercle du tableau de commande et introduire le câble au travers du serre-câble. Le relier ensuite aux bornes L1/L2/L3 et le conducteur de terre à la borne jaune-verte, en serrant après le serre-câble.

### 3.2 RACCORDEMENT AU RÉSEAU HYDRIQUE ET AU RÉSEAU D'ÉVACUATION

- A. Afin de garantir un bon fonctionnement de la machine, il est conseillé de vérifier préalablement, en effectuant des analyses, que la dureté de l'eau du réseau hydrique est comprise entre 5 et 10°F (degrés français). Dans le cas contraire, il est conseillé d'installer un décalcificateur approprié.
- B. Vérifier que la pression de l'eau du réseau ne soit pas inférieure à 0,2 MPa (2 Bars) et qu'elle ne dépasse pas 0,4 MPa (4 Bars).
- C. Les machines sont munies de filtre et de régulateur de pression. La pression dynamique conseillée (avec le rincage en marche) est comprise entre 0,1 et 0,13 MPa (1÷1,3 Bars) selon le modèle. La régler, si nécessaire, en agissant sur le réducteur A.
- D. Alimenter la machine (y compris celles dotées de pré-lavage) avec de l'eau chaude à une température d'environ 50°C en reliant le tuyau de refoulement au raccord d'alimentation fileté (Diam. 3/4 " G) positionné en dessous de celle-ci.
- E. Au cas où la machine serait équipée d'un dispositif d'aspiration et de condensation de la vapeur, alimenter la machine avec de l'eau froide (température 10÷15 °C) en reliant le tuyau de refoulement au raccord d'alimentation fileté (Diam. 3/4 " G) positionné en dessous de celle-ci.
- F. Étant donné que les machines à panier entraîné sont à fonctionnement continu, elles ont besoin de dispositifs d'évacuation efficaces et fonctionnant par chute. Pour la position des conduits d'évacuation, et pour ce que est indiqué aux points c-d-e du présent paragraphe, consulter la fiche technique fournie à part.

## 4 MISE EN FONCTION

---

### 4.1 PRÉCAUTIONS AVANT LE LAVAGE

Vérifier que :

- A. l'interrupteur mural est en fonction ;
- B. l'eau du réseau de distribution est présente ;
- C. les vannes du réseau de distribution d'eau sont ouvertes ;
- D. tous les filtres sont correctement positionnés ;
- E. les trop-pleins sont bien installés dans leur logement ;
- F. les protections sont correctement positionnées ;
- G. les portes d'inspection sont fermées ;
- H. les éventuels contenants pour produits de lavage sont pleins ;
- I. les thermostats de la cuve et du boiler, placés à l'intérieur de la machine, sont correctement réglés (80÷85°C pour le boiler et 55÷60°C pour la cuve).

### 4.2 REMPLISSAGE BOILER ET CUVES

**IMPORTANT:** Lors de l'installation de la machine, afin de garantir le remplissage total du boiler, la phase de "premier remplissage" doit être effectuée avec toutes les portes d'inspection fermées. En effet, l'habilitation des résistances de la cuve et du boiler est donnée exclusivement par le pressostat contrôlant le niveau de la cuve. Si cette procédure n'est pas respectée, on court le risque que la résistance du boiler fonctionne « à sec » avec le danger d'endommager l'ensemble du groupe boiler.

- A. Mettre la machine sous tension au moyen du sélecteur A.
- B. Attendre que la lampe bleue D s'éclaire signalant que la machine est prête à fonctionner. Cette lampe s'éclaire uniquement lorsque la machine est remplie d'eau et les températures sont atteintes).
- C. Contrôler que le niveau de la cuve de lavage après remplissage se trouve à 0,5÷1cm au-dessous du niveau d'affleurement du trop-plein. La capacité de la cuve est d'environ 100 litres.

### 4.3 CONTRÔLES

- A. Contrôler que l'embrayage de sécurité du système d'entraînement est correctement réglé (la seule force des mains doit suffire à bloquer la progression des paniers). Une série complète de paniers remplis d'assiettes ne doit entraîner aucun dérapage ;
- B. Contrôler le bon fonctionnement des économiseurs qui doivent bloquer la distribution de l'eau lorsque le panier dépasse.
- C. En cas de présence d'un doseur de produit de lavage, contrôler le bon fonctionnement de ce dernier.
- D. Contrôler le bon fonctionnement du fin de course, qui doit bloquer la progression du panier lorsque ce dernier arrive à l'extrémité de la surface.



## 5 LAVAGE VAISSELLE

---

### 5.1 MISE EN MARCHÉ ET/OU REMISE EN MARCHÉ

Pour effectuer la mise en marche ou la remise en marche du cycle de fonctionnement, il est nécessaire que la machine soit "PRÊTE" pour commencer le travail. La machine est dans la condition "PRÊTE" lorsque toutes les lampes témoins d'alarme B-E-F-L-M (rouges) sont éteintes, et la lampe témoin D (bleue) est allumée. Chaque fois que le tableau de commande signalera cette condition, il sera possible, au moyen du bouton-poussoir C "START" de faire démarrer le mécanisme d'avancement des paniers et, par conséquent, le fonctionnement en mode automatique. La machine, contrôlée conformément aux instructions du chap. 4, est prête à fonctionner. Si la machine n'est pas équipée d'un doseur automatique, verser manuellement le détergent dans le bac de lavage. Avant de commencer le lavage, il est nécessaire de:

- A. éliminer les restes solides et les éventuelles masses huileuses de la vaisselle à laver;
- B. effectuer un pré-lavage de la vaisselle dans le cas où un certain temps se serait écoulé entre leur utilisation et le lavage;
- C. installer la vaisselle dans les paniers spécifiques en s'assurant que les assiettes sont tournée vers la sortie de la machine et que les plateaux sont placés parallèlement à la direction de l'entraînement;
- D. presser le bouton C de START pour démarrer le système d'entraînement;
- E. si l'opérateur est, pour un motif quelconque, dans l'impossibilité d'ôter les paniers en sortie, la machine est prédisposée pour être connectée avec un fin de course qui en stoppe la progression. Pour reprendre le travail, il suffira de retirer le panier du fin de course et de presser à nouveau le bouton C de START.

### 5.2 PRECAUTIONS DURANT LE LAVAGE

- A. il est recommandé de ne pas immerger les mains nues dans l'eau contenant le détergent, ce dernier risquant de causer des brûlures ou irritations cutanées. Le cas échéant, rincer abondamment;
- B. ne pas ouvrir les portes trop rapidement durant le fonctionnement de la machine;
- C. n'utiliser que des produits de lavage non-moussants spécifiques pour lave-vaisselle industriels et dans les doses conseillées par le fabricant sur la base de la dureté de l'eau;
- D. fermer périodiquement la machine pour retirer les filtres du bac et les nettoyer des déchets déposés;
- E. ne pas retirer les filtres d'aspiration pompe lorsque le bac est plein;
- F. en cas d'un arrêt de l'entraînement causé par le dispositif de sécurité, avant de retirer l'obstacle source d'inconvénient, arrêter la machine en actionnant le bouton d'urgence I
- G. contrôler que la température de l'eau se maintienne dans les limites des valeurs prescrites (Voir 4.1)

### 5.3 PRECAUTIONS APRES LE LAVAGE

- A. enfoncer le bouton-poussoir B (STOP) et tourner le sélecteur A en position "zéro" pour éteindre la machine;
- B. couper l'interrupteur mural et fermer le robinet d'alimentation d'eau;
- C. retirer les filtres et procéder au nettoyage de ces derniers;
- D. retirer les trop-pleins pour vider les bacs. Laver ensuite le fond des bacs avec un jet d'eau;
- E. retirer le filtre d'aspiration de la pompe et le laver avec un jet d'eau;
- F. retirer et laver les protections anti-projections;
- G. si nécessaire, retirer les tuyaux de lavage (en les tournant) et les tuyaux de rinçage (en dévissant la vis de fixation) pour procéder au nettoyage de l'intérieur de ces derniers;
- H. les surfaces externes de la machine doivent être nettoyées avec une éponge humide, sans utiliser de jet d'eau ni de produit nettoyant abrasif ou contenant du chlore;
- I. remonter tous les composants en ayant soin de placer le côté court des protections anti-projections vers l'entrée de la machine;
- J. afin d'éviter toute formation d'odeurs désagréables, il est conseillé de laisser les portes ouvertes.

## 5.4 CONDITIONS NORMALES DE FONCTIONNEMENT

Les lave-vaisselle ARISTARCO à panier entraîné ne fonctionnent que si les conditions et les plages d'utilisation permettent d'obtenir un résultat final optimal.

Ces conditions sont les suivantes :

- A. quantité d'eau suffisante dans la phase/zone de rinçage ;
- B. température minimale garantie " " ;
- C. continuité et régularité d'avancement des paniers conteneurs ;
- D. fermeture correcte des portes d'inspection.

Par conséquent, le fonctionnement de la machine s'interrompra (avec signalisation d'alarme sur le tableau de commande), chaque fois que les paramètres d'utilisation (conditions et plages) ne seront pas respectés. La section diagnostique (sur le tableau de commande) indiquera le motif de l'arrêt du cycle. Pour faire redémarrer le cycle de travail, il est nécessaire de rétablir les paramètres d'utilisation.

Pour la condition :

- A. voir paragraphe 9, points 2-A, 2-B, 6-B, 6-D;
- B. " " " 6-D et tout le point 7;
- C. ouvrir les portes d'inspection et éliminer la cause de blocage des paniers (paniers coincés ou autre inconvénient);
- D. contrôler la bonne et totale fermeture des portes.

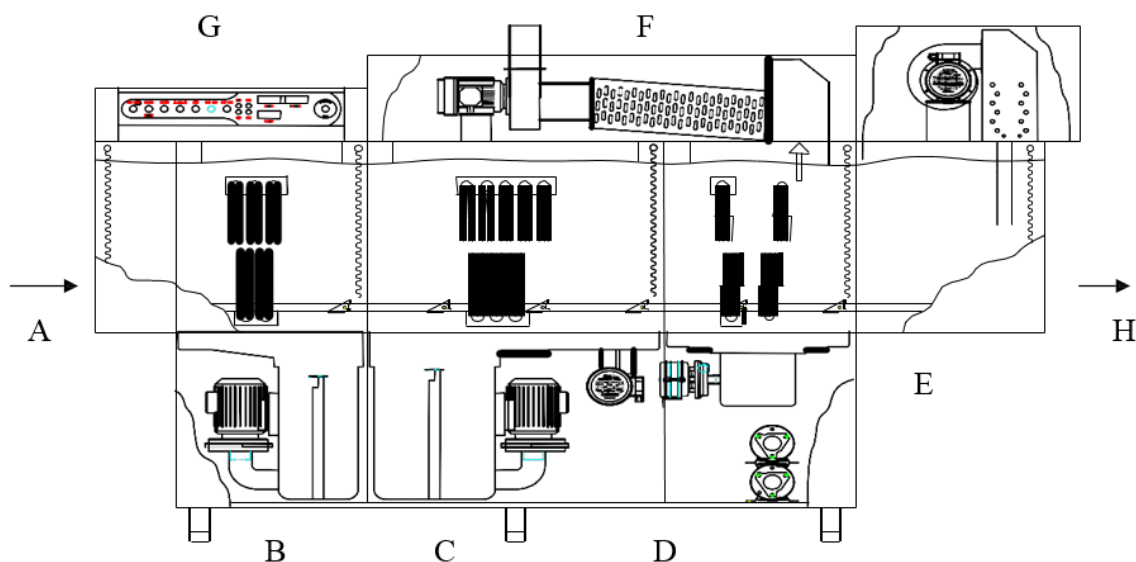
Lorsque le rétablissement des paramètres a, b et de la condition d sera obtenu, les lampes témoins correspondantes (rouges) de diagnostic L-M-F et de Stop/Alarme B s'éteindront et la lampe témoin D (bleue) s'allumera signalant que la machine est prête.

Pour rétablir le paramètre c, il faudra remettre à "zéro" l'état de fonctionnement automatique, en actionnant le bouton-poussoir B Stop/Alarme. La lampe témoin (rouge) de ce bouton s'éteindra et, en même temps, la lampe D (bleue) s'allumera signalant que la machine est prête. Faire redémarrer alors le cycle de travail comme décrit au point précédent 5.1.

## 6 DESCRIPTION DE LA MACHINE

### 6.1 DESCRIPTION DE LA MACHINE

Les machines sont entièrement construites en acier INOX AISI 304, et les entretoises des tôles utilisées garantissent une longévité élevée. Toutes les machines disposent d'une section de lavage et rinçage auxquelles peuvent être ajoutés sur demande une section de prélavage ou bien les groupes de séchage et de condensation vapeurs. Les paniers sont entraînés à travers les sections au moyen d'un système automatique. La dispersion d'énergie et le bruit sont réduits au minimum grâce à la présence de panneaux isolants sur les bacs, les portes et la paroi postérieure. Les tuyaux de lavage et de rinçage sont entièrement construits en acier INOX et disposent de fixations à baïonnette qui facilitent leur démontage et le nettoyage interne. La température de toutes les différentes sections de la machines est contrôlée au moyen de thermostats. Les machines équipées de séchage disposent d'une turbine laquelle, prenant l'air à l'extérieur le font passer à travers une série de résistances et l'acheminement vers le lave-vaisselle. La condensation est obtenue en aspirant les vapeurs à travers la batterie du récupérateur à l'intérieur duquel circule de l'eau froide.



- A = ENTRÉE PANIERS
- B = PRELAVAGE
- C = LAVAGE
- D = RINÇAGE
- E = SECHAGE
- F = CONDENSATION VAPEURS
- G = PANNEAU COMMANDES
- H = SORTIE PANIERS

## 7 DISPOSITIFS DE SÉCURITÉ

---

Toutes les machines sont équipées de dispositifs pour être utilisées avec sécurité et correctement, particulièrement:

- A. Les portes d'inspection des machines sont munies de micro-interrupteurs magnétiques, qui provoquent dès qu'elles sont ouvertes l'interruption du cycle de la machine. Les portes ont en outre un arrêt de sécurité qui en bloque la descente complète;
- B. les boilers et cuves sont munis de thermostats de sécurité ;
- C. les éléments chauffants sont protégés par des fusibles ;
- D. les machines sont protégées contre tout démarrage prématuré (lampe témoin bleue "machine prête à fonctionner" sur le tableau de commande) ;
- E. les pompes de lavage et les moteurs sont munis de disjoncteur de surcharge magnétothermique ;
- F. les machines sont prédisposées pour être connectées à un micro-interrupteur de fin de course des plateaux de sortie des paniers. Il convient de rappeler en outre que :
- G. il est interdit d'accéder à l'intérieur du tableau de commande ;
- H. lorsque le système d'avancement est en fonction, il est extrêmement dangereux d'accéder à l'entrée et à la sortie de la machine ;
- I. toute utilisation de la machine en l'absence du contrôle de l'opérateur est interdite.

**IMPORTANT:** dans le cas où le remplacement du boiler ou de sa résistance serait nécessaire, la procédure de "premier remplissage" décrite au chap. 4.2. devra obligatoirement être répétée. Ceci afin d'éviter que la résistance ne fonctionne "à sec", avec le risque d'endommagement du boiler que cela comporte.

Les tableaux de commande de chaque machine sont équipés d'une section diagnostique composée de n°4 lampes témoins rouges d'alarme signalant:

absence d'eau	lampe témoin	L
portes d'inspection ouvertes	"	F
avancement interrompu	"	E
température du boiler basse	"	M

Ils sont en outre munis de bouton poussoir d'urgence I (grand bouton-poussoir rouge) pour l'arrêt d'urgence de la machine.

N.B.: Sur le mod. AR1650 le blocage de l'entraînement n'est pas signalé par la section de diagnostic, le motoréducteur étant équipé d'un limiteur de couple mécanique (embrayage à bain d'huile). Dans ce cas, la machine continuera à fonctionner sans la progression des paniers. Arrêter alors la machine au moyen du bouton-poussoir B (STOP/ALARME) avant d'accéder à l'intérieur de la machine pour éliminer la cause du blocage.

## 8 ENTRETIEN

L'entretien périodique et constant de la machine est essentiel afin d'éviter toute anomalie grave pouvant entraîner un arrêt prolongé. Toutes les interventions doivent être effectuées conformément aux normes de sécurité applicables. Par conséquent, avant chaque intervention, tourner l'interrupteur mural sur la position "O". Dans tous les cas, maintenir la machine en ordre et propre et éviter toute éventuelle réparation provisoire ou improvisée.

### 8.1 ENTRETIEN À EFFECTUER TOUTES LES TROIS SEMAINES

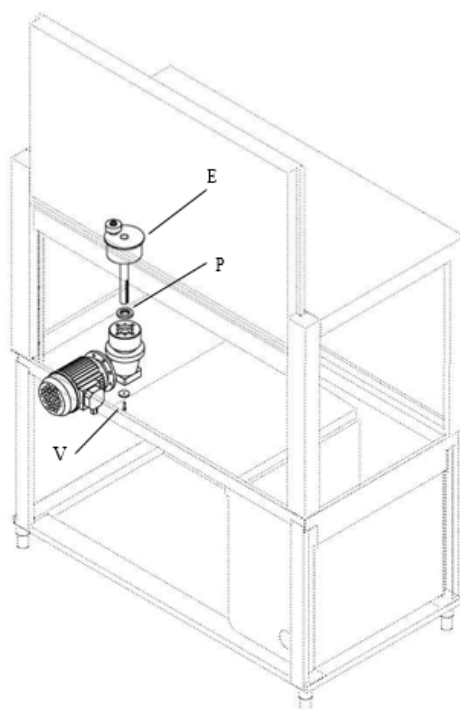
- A. retirer les tuyaux de lavage (par rotation) et les tuyaux de rinçage (en dévissant la vis correspondante) pour procéder à leur nettoyage interne;
- B. retirer et laver les protections anti-projections;
- C. dans le cas de machines avec condensation des vapeurs, procéder au nettoyage de la protection du tunnel d'aspiration.

### 8.2 ENTRETIEN À EFFECTUER TOUS LES DEUX MOIS

- A. contrôler l'efficacité et le fonctionnement des dispositifs de sécurité ;
- B. contrôler que l'embrayage de sécurité est correctement réglé ;
- C. dans le cas de machines équipées de condensation des vapeurs, contrôler la présence éventuelle de saleté et procéder au nettoyage si nécessaire ;
- D. dans le cas de présence de gros dépôts calcaires à l'intérieur de la machine, éliminer ces derniers au moyen d'un produit désincrustant adéquat en se conformant aux prescriptions du fabricant. À la fin de cette opération, rincer la machine.

### 8.3 ENTRETIEN A EFFECTUER TOUTES LES 2000 HEURES ET/OU EN TOUT CAS, AU MOINS UNE FOIS PAR ANNEE

Vérifier l'efficacité de la joint d'étanchéité P (réf. Pièce détachée 5711) et/ou la remplacer, si nécessaire; pour effectuer cette opération dévisser la vis V, extraire le group désaxé E, récupérant la languette de raccordement entre arbre et moyeu ; remplir, en tout cas, l'interstice entre lèvres d'étanchéité et lèvres para-poussière avec graisse atoxique à comptabilité alimentaire (type LOCTITE 8105) avec caractéristiques de référence FDA 21 CFR 178.3579 pour USDA H1 et/ou CNERNA pour FRANCE.



## 9 CONSEILS IMPORTANTS EN CAS D'ANOMALIES

PROBLÈMES	CAUSES ET SOLUTIONS POSSIBLES
1 Les lampes des interrupteurs du tableau de commande ne s'éclairent pas	<p>A) Contrôler que l'interrupteur mural est en fonction et que ses fusibles ne sont pas grillés</p> <p>B) Contrôler que les lampes ne sont pas grillées.</p>
2 Les cuves ne se remplissent pas d'eau	<p>A) Contrôler la présence de l'eau du réseau et que la vanne d'interception est ouverte.</p> <p>B) Contrôler que le filtre du collecteur d'entrée de l'eau n'est pas obstrué.</p> <p>C) Contrôler que les pressostats n'ont pas besoin d'être étalonnés et ne sont pas hors service.</p> <p>D) Contrôler le bon fonctionnement de l'électrovanne de chargement.</p> <p>E) Vérifier la présence et le positionnement correct des trop-pleins dans leur logement.</p>
3 Lorsque le niveau est atteint, l'arrivée d'eau ne s'interrompt pas	<p>A) Contrôler que les pressostats n'ont pas besoin d'être étalonnés et ne sont pas hors service.</p> <p>B) Contrôler le bon fonctionnement de l'électrovanne de chargement.</p> <p>C) Contrôler que la cage d'air est en position verticale et que le petit tuyau de connexion n'est pas détaché.</p>
4 Lavage insuffisant	<p>A) S'assurer que le détergent utilisé est du type correct et en dose adéquate (conseillée par le fabricant).</p> <p>B) Contrôler que les buses des tuyaux de lavage ne sont pas obstruées par des impuretés.</p> <p>C) Contrôler que la température de l'eau dans la cuve est à 60°C.</p> <p>D) Contrôler le bon fonctionnement de la pompe (sens de rotation).</p> <p>E) Contrôler que le filtre de la pompe n'est pas obstrué par des impuretés.</p> <p>F) Contrôler que la protection thermique disjoncteur n'est pas intervenue ; le cas échéant, réarmer cette dernière.</p>
5 La température des cuves n'est pas atteinte	<p>A) Contrôler que les thermostats n'ont pas besoin d'être étalonnés, ne sont pas hors service ou réglés de façon erronée.</p> <p>B) Contrôler que les fusibles et les bobines des télérupteurs correspondant aux résistances des cuves ne sont pas interrompus.</p> <p>C) Contrôler le fonctionnement des résistances des cuves et qu'elles ne sont pas recouvertes de calcaire.</p> <p>D) Contrôler que les thermomètres n'ont pas besoin d'être étalonnés ou en panne.</p>
6 Rinçage insuffisant	<p>A) Contrôler que les buses ne sont pas obstruées par du calcaire.</p> <p>B) Contrôler le bon fonctionnement de l'électrovanne.</p> <p>C) Contrôler que le filtre du collecteur d'entrée de l'eau n'est pas obstrué.</p> <p>D) Contrôler que le boiler n'est pas obstrué par du calcaire.</p>
7 Température de rinçage insuffisante	<p>A) Contrôler que la température d'entrée de l'eau correspond bien à celle prescrite.</p> <p>B) Contrôler que le thermostat n'a pas besoin d'être étalonné, n'est pas en panne ou réglé de façon erronée.</p> <p>C) Contrôler que le thermostat de sécurité n'est pas intervenu, et contrôler les causes le cas échéant.</p> <p>D) Contrôler que le thermomètre n'a pas besoin d'être étalonné ou n'est pas en panne.</p> <p>E) Contrôler que la pression dynamique sur le réducteur de pression n'est pas supérieure à la pression prescrite.</p> <p>F) Contrôler que la bobine du télérupteur correspondant à la résistance du boiler n'est pas interrompue.</p> <p>G) Contrôler le bon fonctionnement des résistances et que ces dernières ne sont pas recouvertes de calcaire.</p>

<p>8 Pendant le fonctionnement, le cycle s'arrête sans aucune indication de diagnostic</p>	<p>A) Contrôler les protections thermiques des disjoncteurs et les réarmer si ces dernières sont intervenues.  B) Contrôler que les lampes de la section de diagnostic ne sont pas grillées.</p>
<p>9 La machine lave et/ou rince sans arrêt en absence de paniers à l'intérieur.</p>	<p>A) Contrôler le bon fonctionnement du groupe économiseur.  B) Contrôler que le conteneur ballast, comprenant l'unité magnétique du groupe économiseur, soit bien vissé et fixé à la bonne distance.  C) Contrôler le fonctionnement correct du micro-interrupteur de proximité du système économiseur.</p>
<p>10 La machine s'arrête ou ne démarre pas ; l'arrêt de l'avancement des paniers est signalé.</p>	<p>A) Effectuer le rétablissement de la condition C du point 5.4.  B) Si la machine ne se met pas en condition "PRÊTE", il y a une anomalie au niveau de l'inverseur de contrôle du moteur d'actionnement du groupe d'avancement des paniers.</p>

## 10 CONDITIONS DE GARANTIE

---

-LA MACHINE EST GARANTI POUR UNE PÉRIODE DE UNE AN À COMPTER DE LA DATE D'ACHAT QUI EST ÉTABLIE PAR UN DOCUMENT VALABLE DU POINT DE VUE FISCAL, DÉLIVRÉ PAR LEREVENDEUR AUTORISÉ, QUI ATTESTE LE NOM DU REVENDEUR ET LA DATE À LAQUELLE LA VENTE A EU LIEU.

-POUR QUE LA GARANTIE SOIT EFFICACE, IL EST NÉCESSAIRE QUE LE DOCUMENT FISCAL DÉLIVRÉ PAR LE REVENDEUR SOIT CONSERVÉ AVEC LE PRÉSENT MANUEL D'INSTRUCTIONS.

-PAR GARANTIE, ON ENTEND LE REMPLACEMENT OU LA RÉPARATION GRATUITE DES PIÈCES COMPOSANT LA MACHINE QUI SONT DÉFECTUEUSES À CAUSE DE DÉFAUTS DE FABRICATION.

-POUE LES MACHINES POUR LESQUELS L'INTERVENTATION À DOMICILIE EST EXIGÉE, L'UTILISATEUR EST TENU DE PAYER LE "TARIF POUR LES FRAIS DE DÉPLACEMENT À DOMICILE" EN VIGUEUR À LA DATE DE L'INTERVENTION.

-LA GARANTIE NE COUVRE PAS LES PIÈCES QUI SONT DÉFECTUEUSES À CAUSE D'UNE NÉGLIGENCE OU D'UN LAISSER-ALLER DANS L'UTILISATION (NON RESPECT DES INSTRUCTIONS POUR LE FONCTIONNEMENT DE L'APPAREIL), D'UNE INSTALLATION ERRONÉE OU D'UN ENTRETIEN EXÉCUTÉ PAR UN PERSONNEL NON AUTORISÉ, DE DOMMAGES SUBIS DURANT LE TRANSPORT OU DE CIRCONSTANCE QUI, DANS TOUS LES CAS, NE PEUVENT PAS ÊTRE RELIÉES À DES DÉFAUTS DE FABRICATION DE L'APPAREIL.

-LA GARANTIE NE COUVRE PAS LES CAS DANS LESQUELS LE PRODUIT: A FAIT L'OBJET D'UN TRAITEMENT NON CORRECT; A FAIT L'OBJET DE RÉPARATIONS, ENTRETIENS OU MANIPOLATIONS PAR UNE PERSONNE NON AUTORISÉE OU A ÉTÉ RÉPARÉ ET MUNI DE PIÈCES DE RECHANGE D'ORIGINE.

-SONT ÉGALEMENT EXCLUES DES PRESTATIONS DE GARANTIE LES INTERVENTIONS INHÉRENTES À L'INSTALLATION ET AU RACCORDEMENT AUX INSTALLATIONS D'ALIMENTATION, AINSI QUE LES OPÉRATIONS D'ENTRETIEN MENTIONNÉES DANS LE PRÉSENT MANUEL D'INSTRUCTIONS.

-LA GARANTIE EST EXCLUE EN OUTRE DANS TOUS LES CAS D'USAGE IMPROPRE DE LA MACHINE.

-LE CONSTRUCTEUR DÉCLINE TOUTE RESPONSABILITÉ POUR D'ÉVENTUELS DOMMAGES QUI PEUVENT ÊTRE CAUSÉS, DIRECTEMENT OU INDIRECTMENT, CHOSES ET ANIMAUX DOMESTIQUES COMME CONSÉQUENCE DU NON RESPECT DE TOUTES LES PRESCRIPTIONS INDIQUÉES DANS LE PRÉSENT MANUEL D'INSTRUCTIONS ET CONCERNANT, SPÉCIALEMENT LES INSTRUCTIONS EN MATIÈRE D'INSTALLATION, D'UTILISATION ET D'ENTRETIEN DE LA MACHINE.

-SI LA MACHINE EST RÉPARÉ AUPRÈS D'UN CENTRES DE S.A.V. INDIQUÉS PAR LE CONSTRUCTEUR, LES RISQUES DE TRANSPORT CORRESPONDANTS SERONT À LA CHARGE DE L'UTILISATEUR. LES FRAIS DE TRANSPORT S'ENTENDANT DANS TOUS LES CAS À LA CHARGE DE L'UTILISATEUR.

-LES PIÈCES REMPLACÉES OU RÉPARÉES DANS LE CANDRE DE CETTE GARANTIE EN PROLONGERONT PAS LA DURÉE DE LA GARANTIE DU PRODUIT D'ORIGINE.

-LE PRODUCTEUR N'ASSUME AUCUNE RESPONSABILITÉ POUR D'ÉVENTUELLES ERREURS D'IMPRESSION.

### NOTE DU CONSTRUCTEUR

LA SOCIÉTÉ SE RÉSERVE LE DROIT D'APPORTER DES MODIFICATIONS AUSSI BIEN TECHNIQUE QU'ESTHÉTIQUES, SUSCEPTIBLES D'AMÉLIORER LA QUALITÉ ET LA FONCTIONNALITÉ DE LA MACHINE, SANS PRÉAVIS ET SANS OBLIGATION DE METTRE À JOUR EN TEMPS UTILE LA PRÉSENTE PUBLICATION.